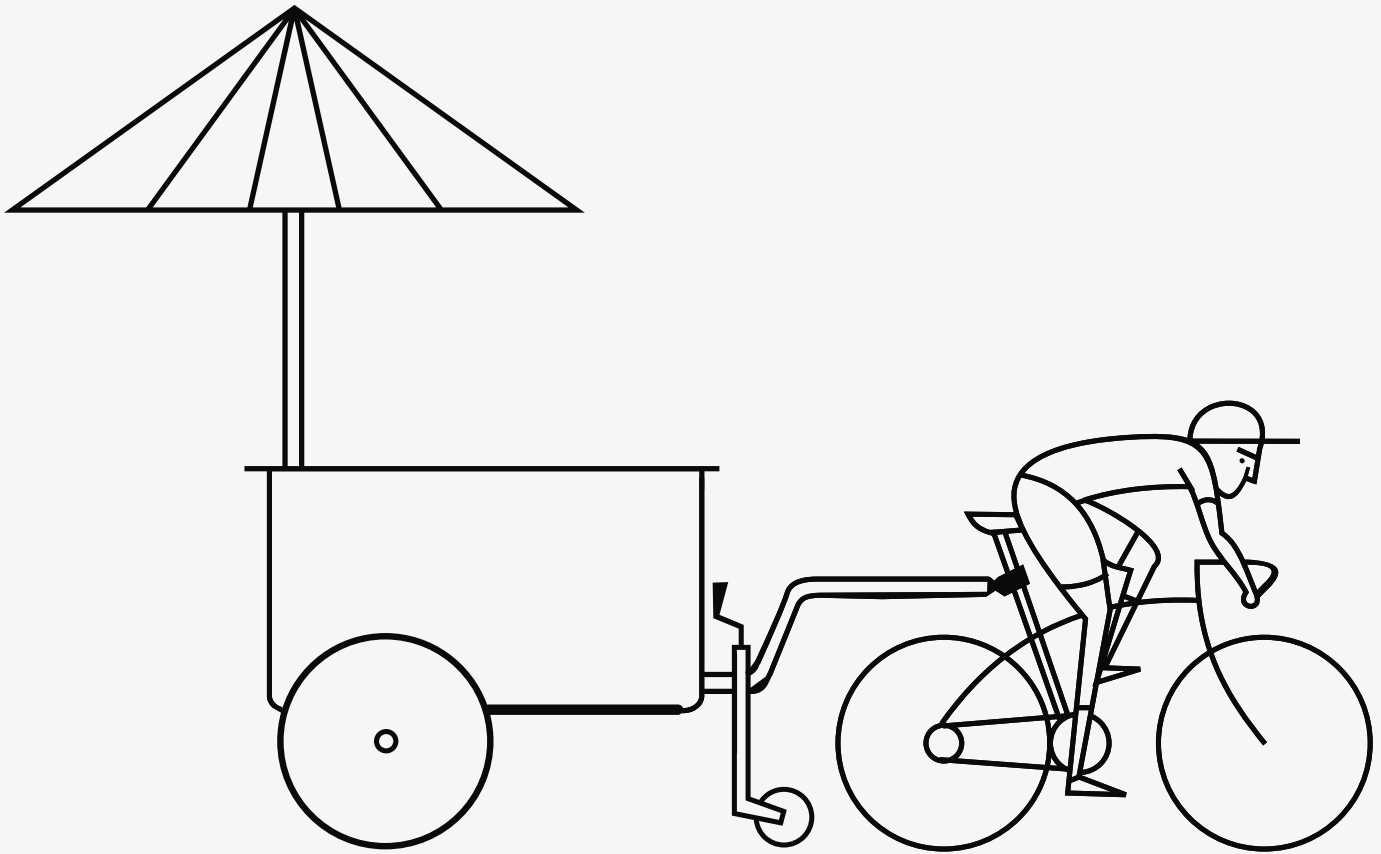


Your business our wheels

The Vending Cart M



The Most Versatile Vending Cart



2

The Vending Cart M: a mobile, versatile, and profitable vending solution, is ideal for any setting, indoors or outdoors, thanks to its adaptable design. Serving as a multi-functional tool for marketing, sales, and distribution, it can operate as a mobile shop, a promotional booth, or a street food cart.



3

One vending cart, Two traction modes

The Vending Cart M can be connected to and towed by any e-bike, thanks to our patent-pending universal saddle hitch system.

VENDING BIKE MODE



4

PUSH CART MODE

For increased maneuverability in outdoor and indoor locations, the Vending Cart M is equipped with an ergonomic handlebar.



5

The first Vending Cart in the world, designed to be towed by an e-bike

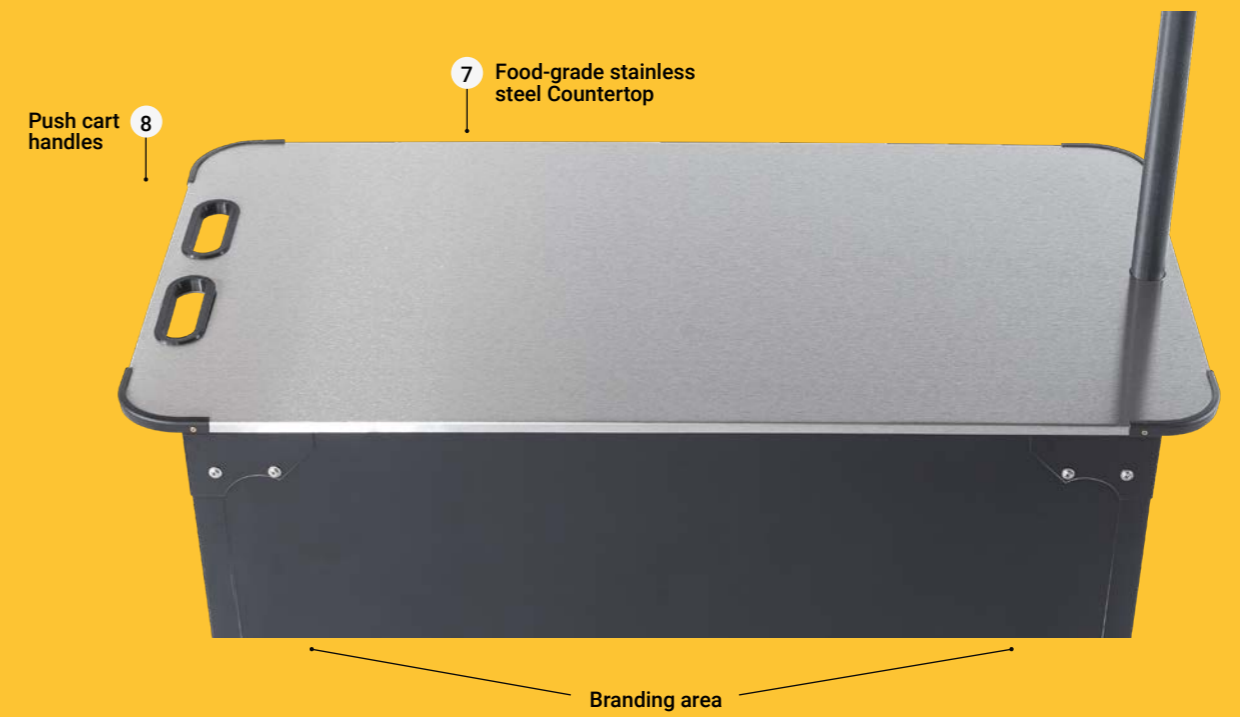
When matched with any bike, the Vending Cart M transforms into a stylish Vending Bike, perfectly equipped to occupy prime locations across the city.



6

7

Vending Cart Features

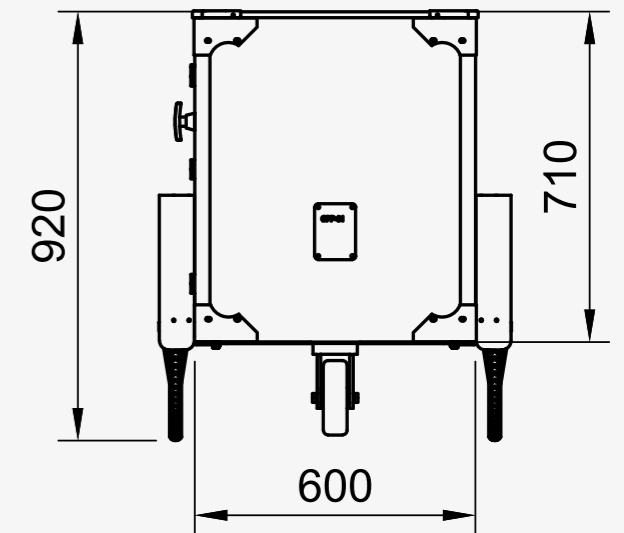


Technical Specs

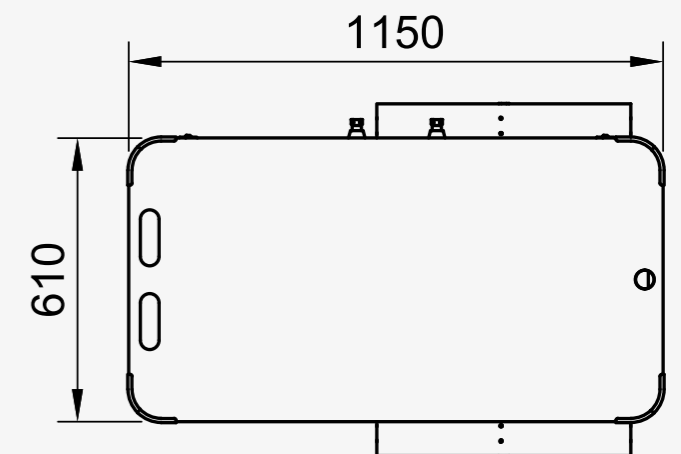
Hand-built in our modern EU factory, the Vending Cart M is made of highest quality materials using cutting edge manufacturing techniques.

SPECS	DETAILS
Cart Body	Manually assembled body made of plywood, covered with HPL with metal welded CNC parts and chassis, powder coated. All the parts are CNC machined
Wheels	20" aluminum 36 spokes bicycle wheels at the front and adjustable height rear wheel, 80 mm rear wheel with foot brake.
Countertop	Food grade stainless steel, reinforced with plywood.
Roof	Folding umbrella, 250cm diameter
Water System	-
Electrical system	-
Colour	Black or White
Branding	Available for an extra fee, with printed decals (ask customer service to include it in your quote)
Storage	Interior: 2 doors with industrial key lock and 5 storage compartments. Exterior: -
Shipping Package Size	Wooden box: 110L x 80W x 120H cm
New Weight	65 Kg
Gross Weight	95 Kg (wooden box included)
Manuals & Instructions	PDF and Video formats
Assembly Time	1 hour
Spare Parts	Available from customer service
Bicycle trailer arm	Included (only for bicycles without a rear rack)
Delivery	Worldwide
Unloading	A fork lift or a stacker is needed to unload
Warranty	24 months

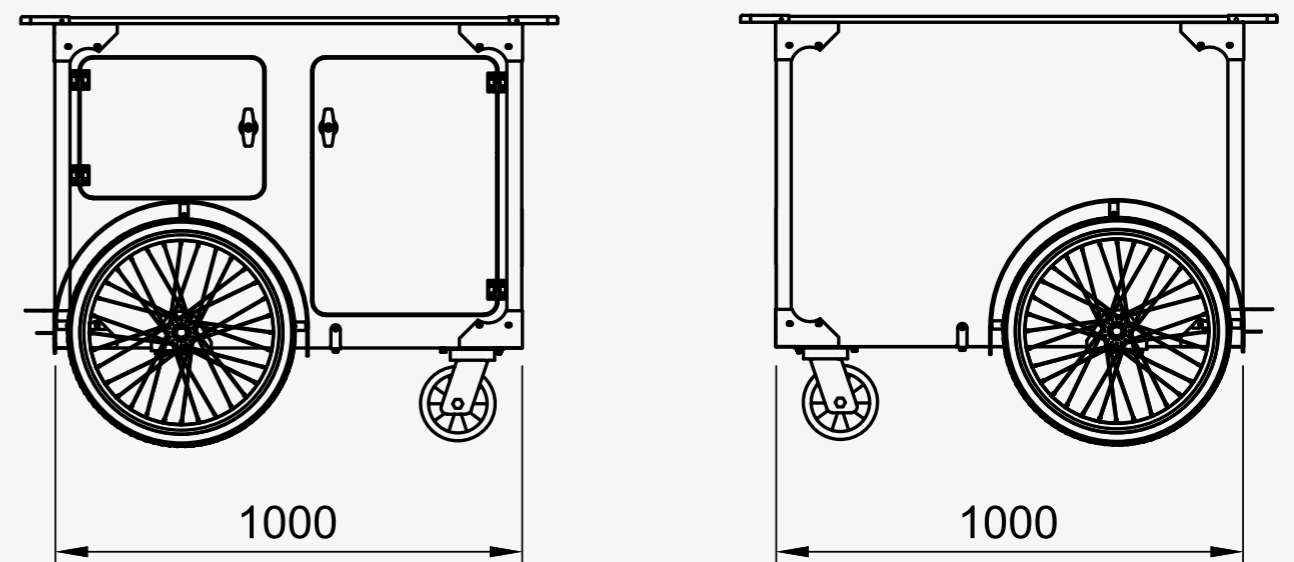
Vending Cart M front view:



Countertop:



Vending Cart M lateral back and front view:



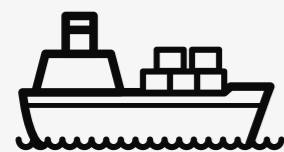
Worldwide Shipping since 2009



**USA and Worldwide:
delivery by air (3-7 business days)**



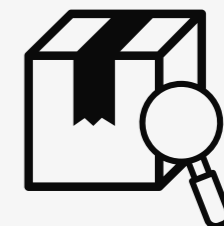
**Mainland Europe:
delivery by road (3-5 business days)**



**USA and Worldwide:
delivery by sea (14-65 days port-to-port)**

Delivery box dimensions*

Length	1100 mm
Width	800 mm
Height	1200 mm
Weight	95 kg



*** dimensions may vary depending
on the shipment method**

One vending cart, unlimited possibilities.



Contact us, now.



office@bizzonwheels.com



[Bizz On Wheels](#)



[bizzonwheels](#)



[BizzOnWheels](#)