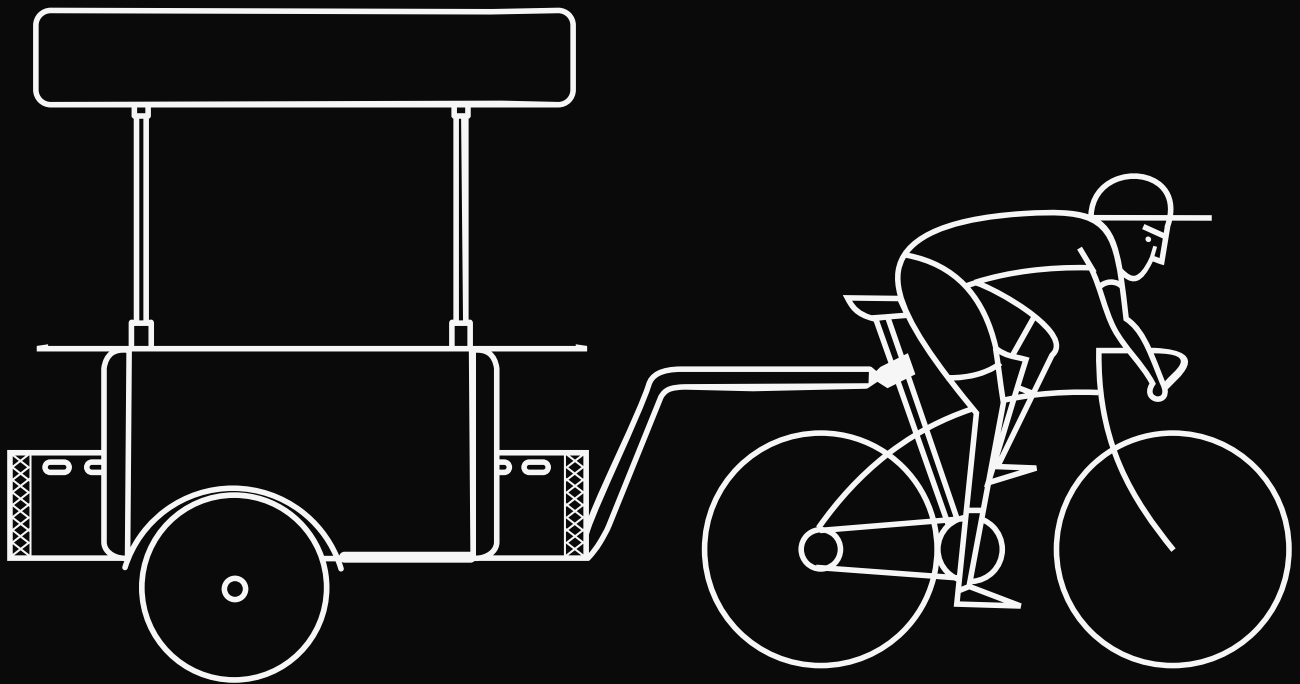


# Your business our wheels

The Vending Cart L



# The Most Versatile Vending Cart



2

The Vending Cart L: a mobile, versatile, and profitable vending solution, is ideal for any setting, indoors or outdoors, thanks to its adaptable design. Serving as a multi-functional tool for marketing, sales, and distribution, it can operate as a mobile shop, a promotional booth, or a street food cart. With customization options, including various add-ons and accessories, it can meet any specific need.



3

# One vending cart, Two traction modes

The Vending Cart L can be connected to and towed by any e-bike, thanks to our patent-pending universal saddle hitch system.

## VENDING BIKE MODE



4

## PUSH CART MODE

For increased maneuverability in outdoor and indoor locations, the Vending Cart L is equipped with an ergonomic handlebar.



5

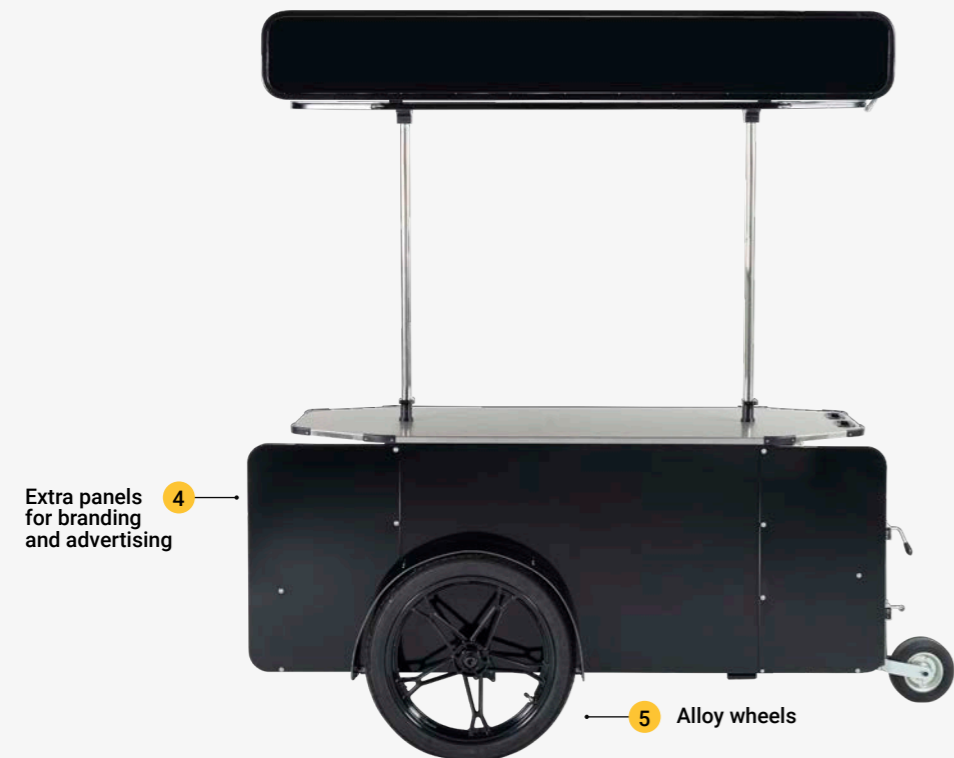
# The first Vending Cart in the world

designed to  
be towed by  
an e-bike

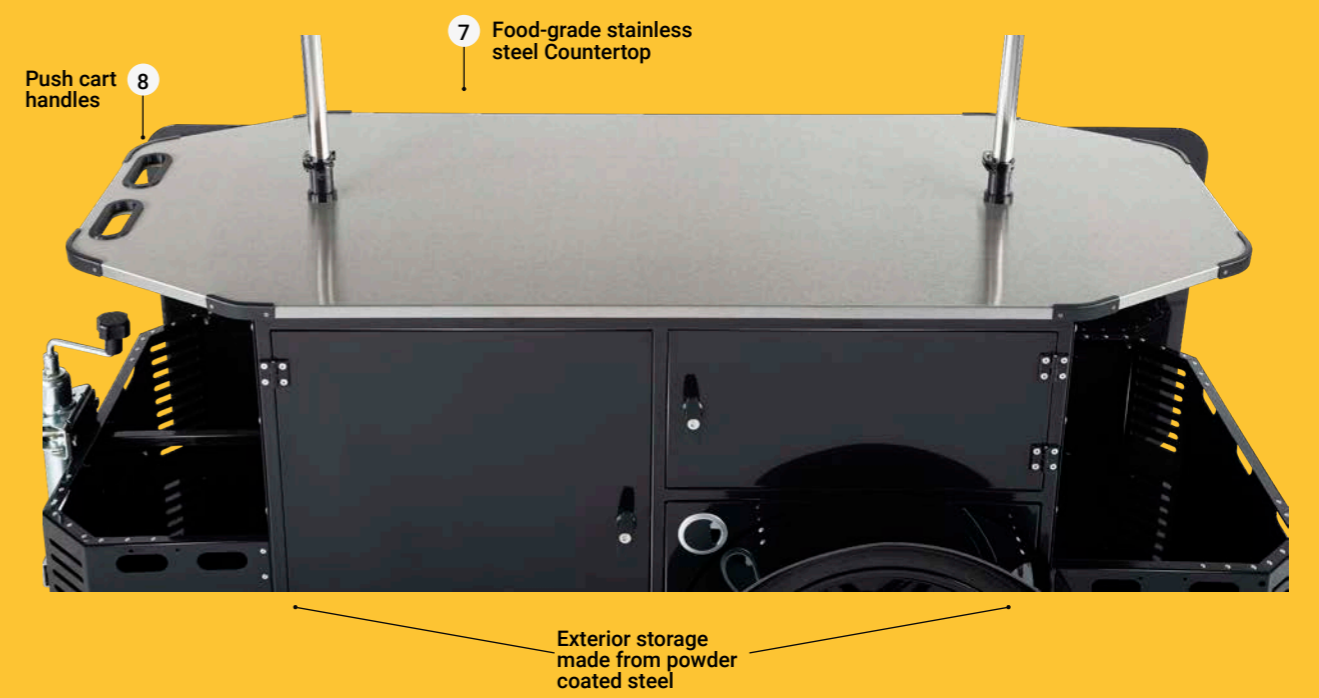


When matched with any bike, the Vending Cart L transforms into a stylish Vending Bike, perfectly equipped to occupy prime locations across the city.

# Vending Cart Features



8



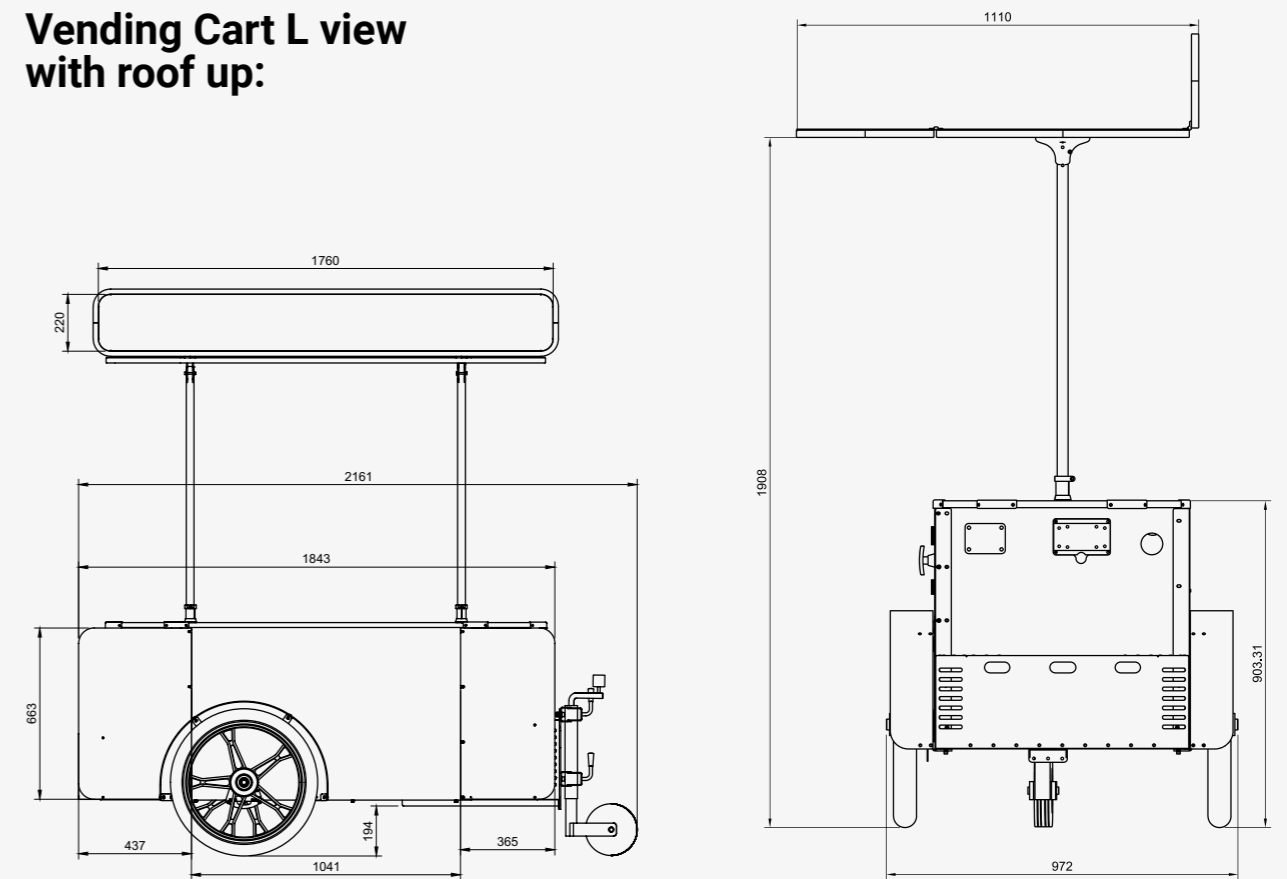
9

# Technical Specs

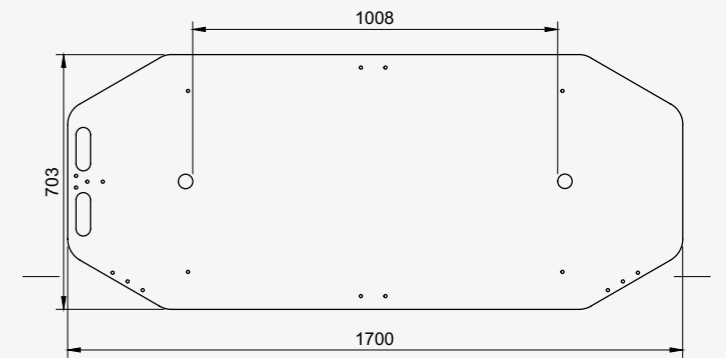
Hand-built in our modern EU factory, the Vending Cart L is made of highest quality materials using cutting edge manufacturing techniques.

SPECS	DETAILS
Cart Body	Partially assembled body made of plywood, covered with HPL with metal welded CNC parts and chassis, powder coated.
Wheels	28" aluminum motorcycle wheels at the front and adjustable height rear wheel
Countertop	Food grade stainless steel, reinforced with plywood
Roof	The roof consists of three parts: 1. Height-adjustable roof: an advertising panel for brand promotion 2. A main roof protecting the countertop 3. A vendor's roof
Colour	Black or White
Branding	Available for an extra fee, with printed decals (ask customer service to include it in your quote)
Storage	Interior: 2 doors with industrial key lock and 5 storage compartments Exterior: 2 exterior compartments made from cnc cut metal and powder coated
Shipping Package Size	Wooden box: 200L x 83W x 100H cm
New Weight	125 Kg
Gross Weight	220 Kg (wooden box included)
Manuals & Instructions	PDF and Video formats
Assembly Time	1-2 hours by 2 people
Spare Parts	Available from customer service
Bicycle trailer arm	Included (only for bicycles without a rear rack)
Delivery	Worldwide
Unloading	A fork lift or a stacker is needed to unload
Warranty	24 months

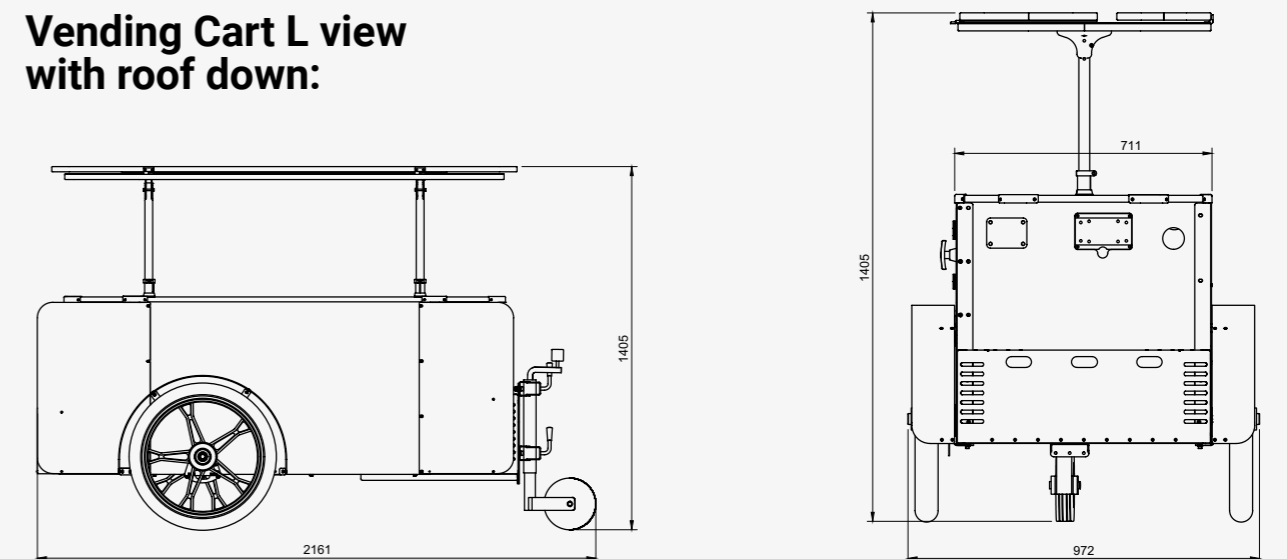
Vending Cart L view with roof up:



Countertop:



Vending Cart L view with roof down:



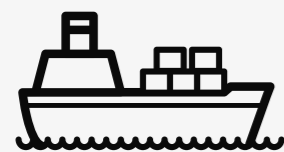
# Worldwide Shipping since 2009



**USA and Worldwide:  
delivery by air (3-7 business days)**



**Mainland Europe:  
delivery by road (3-5 business days)**



**USA and Worldwide:  
delivery by sea (14-65 days port-to-port)**

#### **Delivery box dimensions\***

<b>Length</b>	<b>2030 mm</b>
<b>Width</b>	<b>830 mm</b>
<b>Height</b>	<b>1000 mm</b>
<b>Weight</b>	<b>210 kg</b>



**\* dimensions may vary depending  
on the shipment method**

# One vending cart, unlimited possibilities.





# Contact us, now.



[office@bizzonwheels.com](mailto:office@bizzonwheels.com)



[Bizz On Wheels](#)



[bizzonwheels](#)



[BizzOnWheels](#)