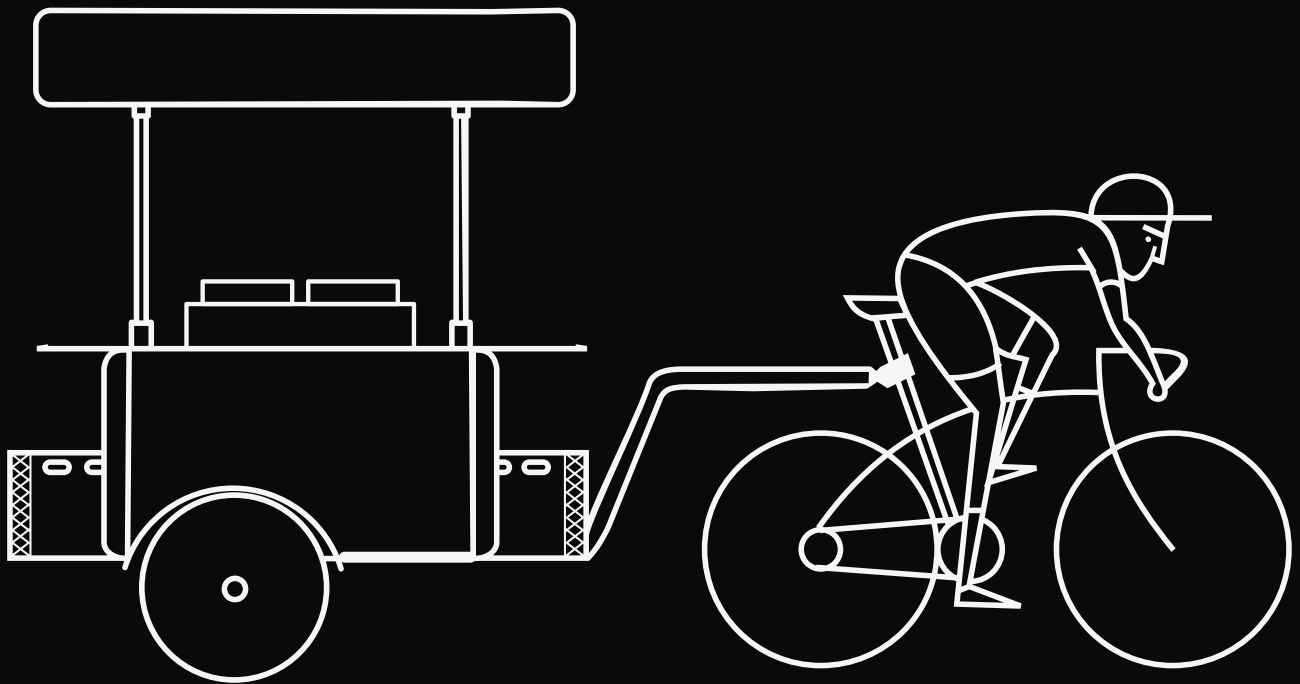


Your business our wheels

The Street Food Cart L



The Most Versatile Street Food Cart



Discover the Street Food Cart L: A dynamic, mobile vending solution that's ready to host any street food setup on its versatile countertop. Engineered for both indoor and outdoor use, its adaptable design makes it a perfect fit for any location. Whether you're launching a mobile street food stand, an engaging promotional food stand, or a bustling street-side eatery, this cart is designed to cater to all your needs. It serves as an essential tool for marketing, sales, and promotional ventures, offering a streamlined way to bring your culinary creations directly to the street.



One vending cart, Two traction modes

The Street Food Cart L can be connected to and towed by any e-bike, thanks to our patent-pending universal saddle hitch system.

VENDING BIKE MODE



4

PUSH CART MODE

For increased maneuverability in outdoor and indoor locations, the Street Food Cart L is equipped with an ergonomic handlebar.



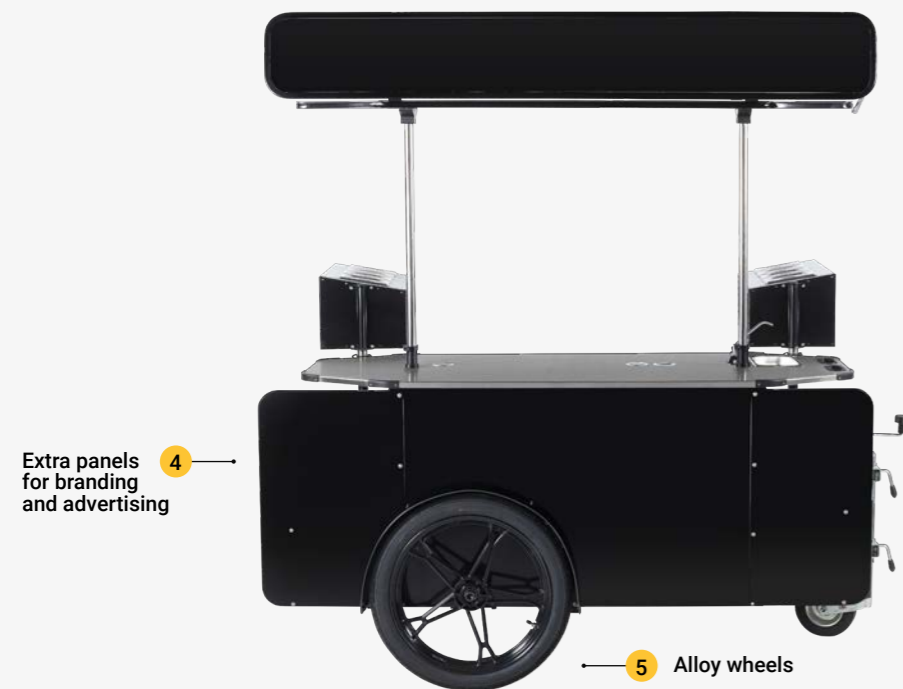
5

The first Street Food Cart in the world designed to be towed by an e-bike

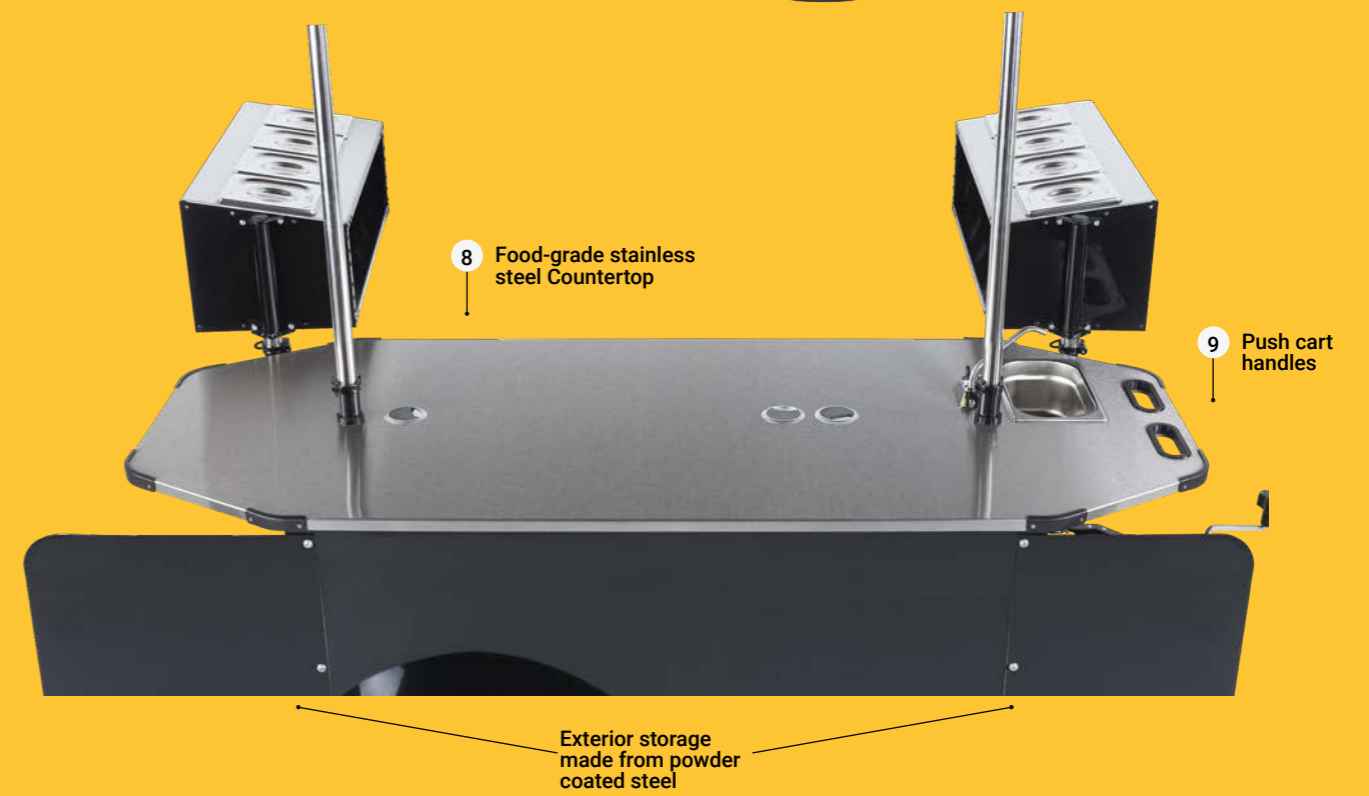
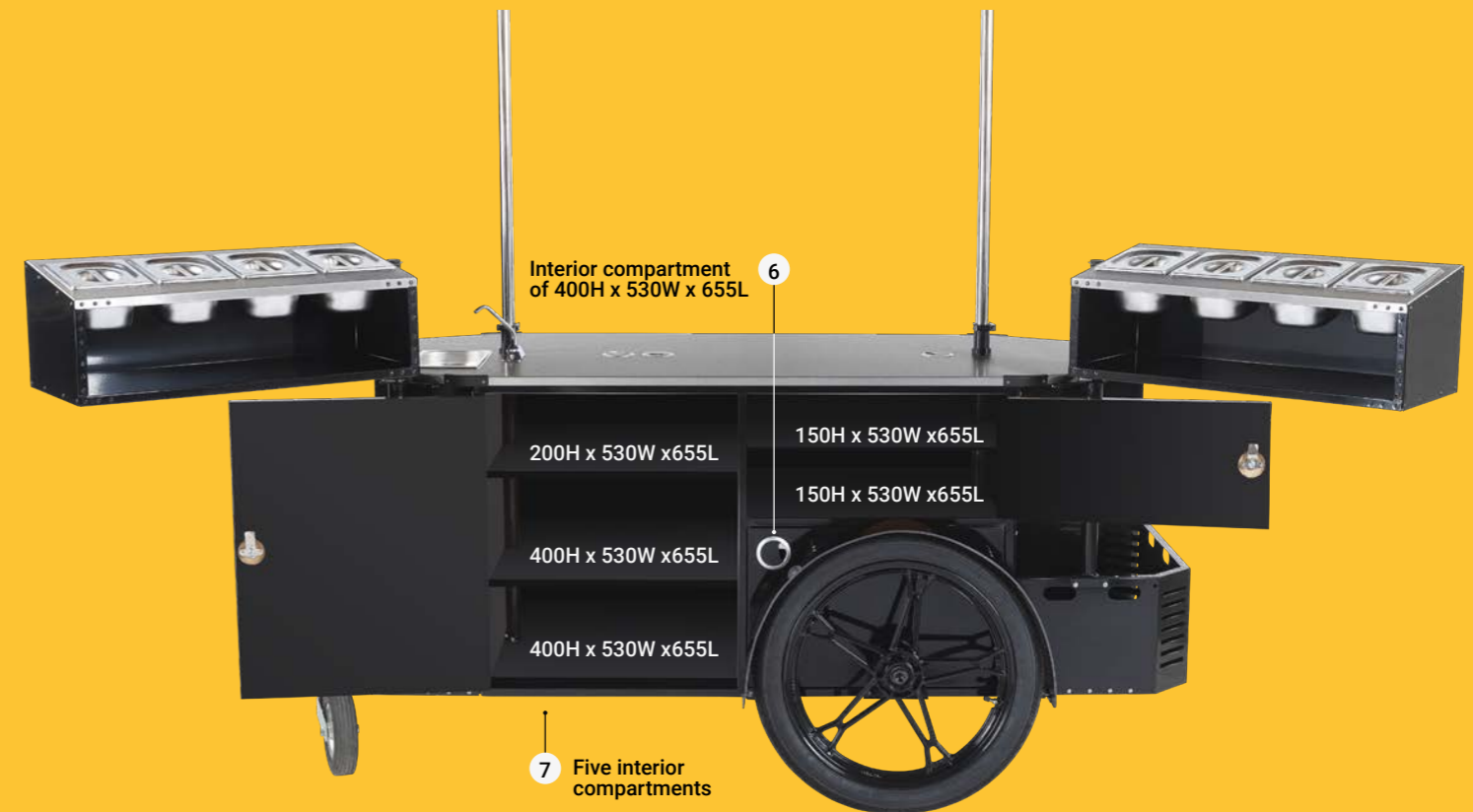
When matched with any bike, the Street Food Cart L transforms into a stylish Vending Bike, perfectly equipped to occupy prime locations across the city.



Street Food Cart Features



8



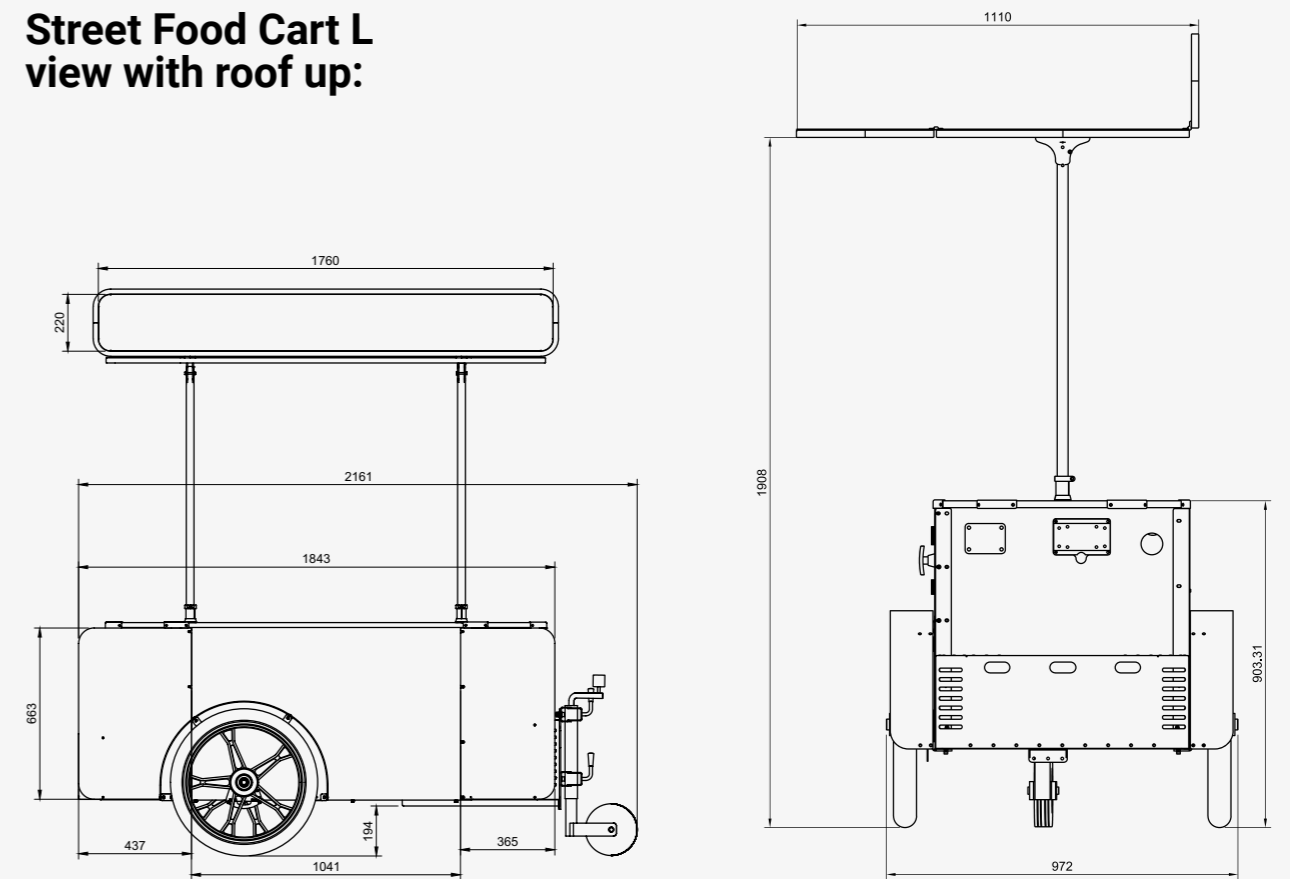
9

Technical Specs

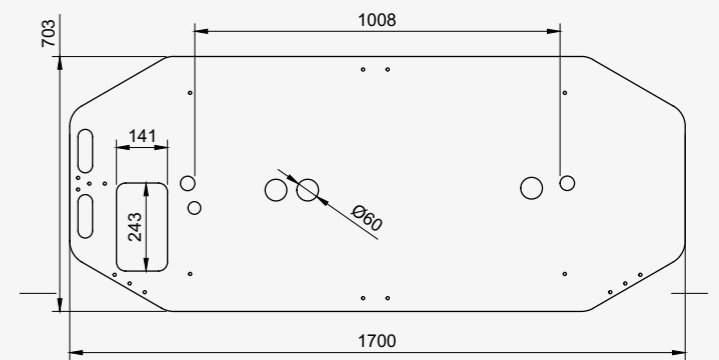
Hand-built in our modern EU factory, the Street Food Cart L is made of highest quality materials using cutting edge manufacturing techniques.

SPECS	DETAILS
Cart Body	Partially assembled body made of plywood, covered with HPL with metal welded CNC parts and chassis, powder coated.
Wheels	28" aluminum motorcycle wheels at the front, adjustable height rear wheel
Countertop	Food grade stainless steel, reinforced with plywood, with GN1/4 sink and water tap and 3 x holes for equipment cables and hoses.
Roof	The roof consists of three parts: 1. Height-adjustable roof: an advertising panel for brand promotion 2. A main roof protecting the countertop 3. A vendor's roof
Water System	220V water pump, 2 x 20 liter water tank for fresh and waste water, 2 meter cable and plug to connect ongrid.
Electrical System	Double socket for 220V with 2 meter cable and plug to connect ongrid.
Colour	Black or White
Branding	Available for an extra fee, with printed decals (ask customer service to include it in your quote)
Storage	Interior: 2 doors with industrial key lock and 5 storage compartments Exterior: 2 exterior compartments made from cnc cutted metal and powder coated
Shipping Package Size	Wooden box: 200L x 83W x 100H cm
New Weight	125 Kg
Gross Weight	220 Kg (wooden box included)
Manuals & Instructions	PDF and Video formats
Assembly Time	1-2 hours by 2 people
Spare Parts	Available from customer service
Bicycle trailer arm	Included (only for bicycles without a rear rack)
Delivery	Worldwide
Unloading	A fork lift or a stacker is needed to unload
Warranty	24 months

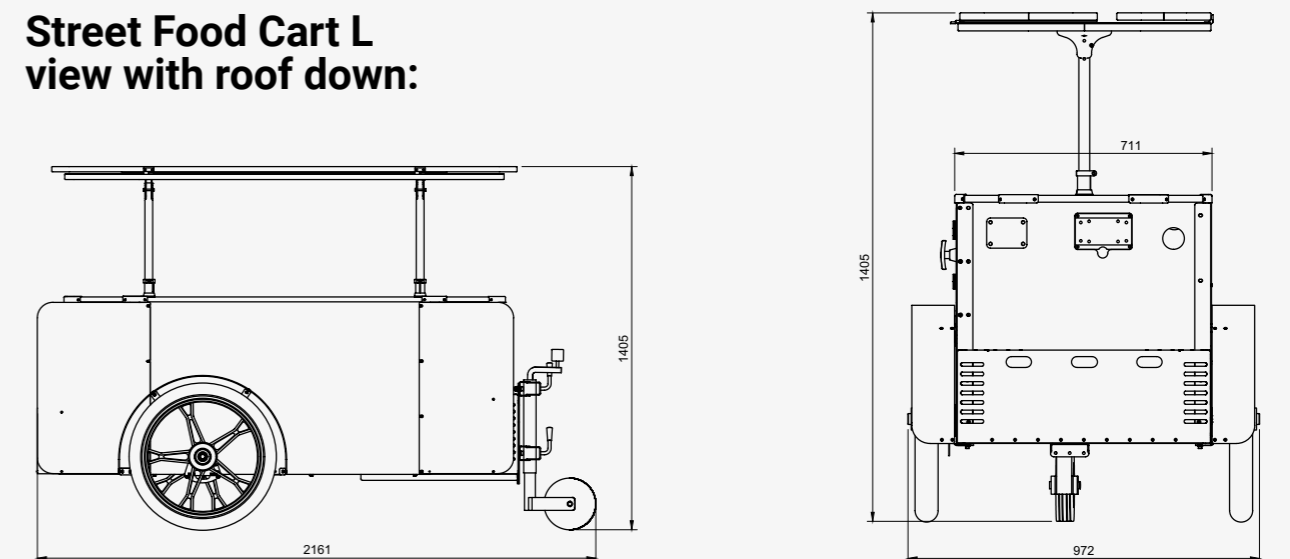
Street Food Cart L
view with roof up:



Countertop:



Street Food Cart L
view with roof down:



Add Any Cooking Equipment on top

(Equipment not included)



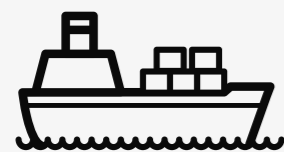
Worldwide Shipping since 2009



**USA and Worldwide:
delivery by air (3-7 business days)**



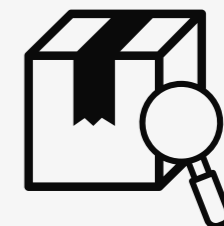
**Mainland Europe:
delivery by road (3-5 business days)**



**USA and Worldwide:
delivery by sea (14-65 days port-to-port)**

Delivery box dimensions*

Length	2030 mm
Width	830 mm
Height	1000 mm
Weight	210 kg



*** dimensions may vary depending
on the shipment method**

One street food cart, unlimited possibilities.



Contact us, now.



office@bizzonwheels.com



[Bizz On Wheels](#)



[bizzonwheels](#)



[BizzOnWheels](#)