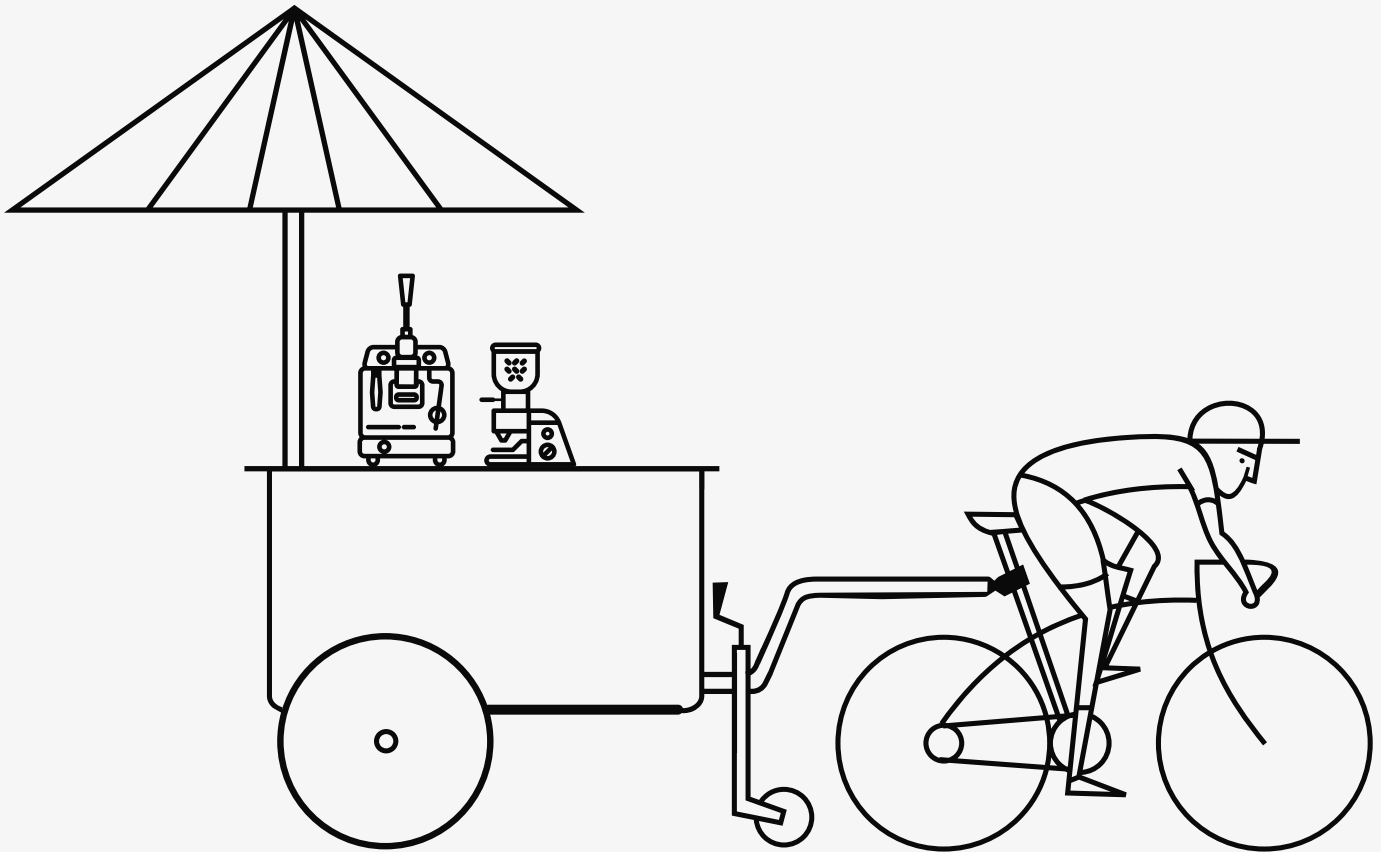


# Your business our wheels

The Coffee Cart M



# The Most Versatile Coffee Cart



(Equipment not included)

2

The Coffee Cart M: a mobile, versatile, and profitable vending solution, is ideal for any setting, indoors or outdoors, thanks to its adaptable design. Serving as a multi-functional tool for marketing, sales, and distribution, it can operate as a mobile shop, a promotional booth, or a street food cart.



(Equipment not included)

3

# One vending cart, Two traction modes

The Coffee Cart M can be connected to and towed by any e-bike, thanks to our patent-pending universal saddle hitch system.

## VENDING BIKE MODE



4

## PUSH CART MODE

For increased maneuverability in outdoor and indoor locations, the Coffee Cart M is equipped with an ergonomic handlebar.



5

# The first Coffee Cart in the world, designed to be towed by an e-bike

When matched with any bike, the Coffee Cart M transforms into a stylish Vending Bike, perfectly equipped to occupy prime locations across the city.





# Coffee Food Cart Features

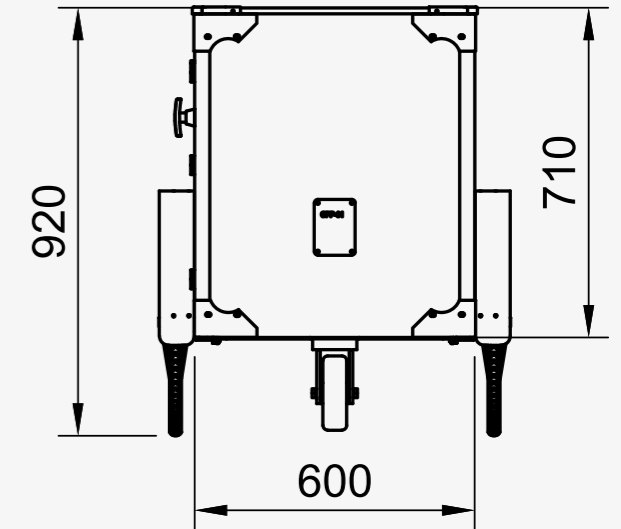


# Technical Specs

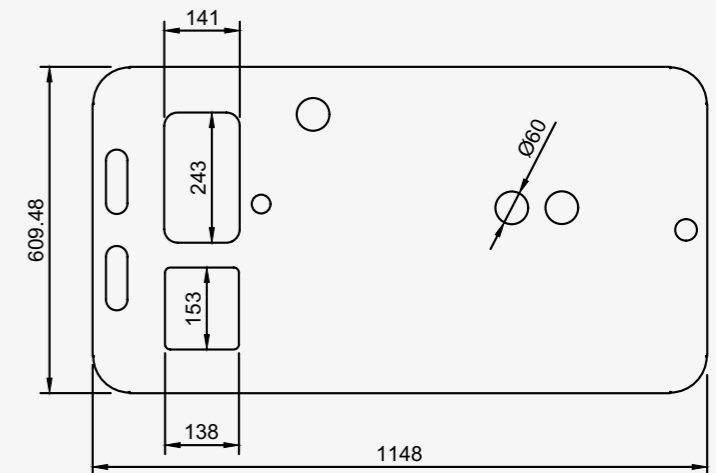
Hand-built in our modern EU factory, the Coffee Cart M is made of highest quality materials using cutting edge manufacturing techniques.

SPECS	DETAILS
Cart Body	Manually assembled body made of plywood, covered with HPL with metal welded CNC parts and chassis, powder coated. All the parts are CNC machined.
Wheels	20" aluminum 36 spokes bicycle wheels at the front and adjustable height rear wheel, 80 mm rear wheel with foot brake
Countertop	Food grade stainless steel, reinforced with plywood, with GN1/4 sink and water tap, GN 1/6 Knockbox and 3 x holes for equipment cables and hoses
Roof	Folding umbrella, 250cm diameter
Water System	220V water pump, 2 x 10 liter water tank for fresh and waste water, 2 meter cable and plug to connect on grid
Electrical system	Double socket for 220V with 2 meter cable and plug to connect on grid
Colour	Black or White
Branding	Available for an extra fee, with printed decals (ask customer service to include it in your quote)
Storage	Interior: 2 doors with industrial key lock and 5 storage compartments. Exterior: –
Shipping Package Size	Wooden box: 110L x 80W x 120H cm
New Weight	65 Kg
Gross Weight	95 Kg (wooden box included)
Manuals & Instructions	PDF and Video formats
Assembly Time	1 hour
Spare Parts	Available from customer service
Bicycle trailer arm	Included (only for bicycles without a rear rack )
Delivery	Worldwide
Unloading	A fork lift or a stacker is needed to unload or 3-4 people
Warranty	24 months

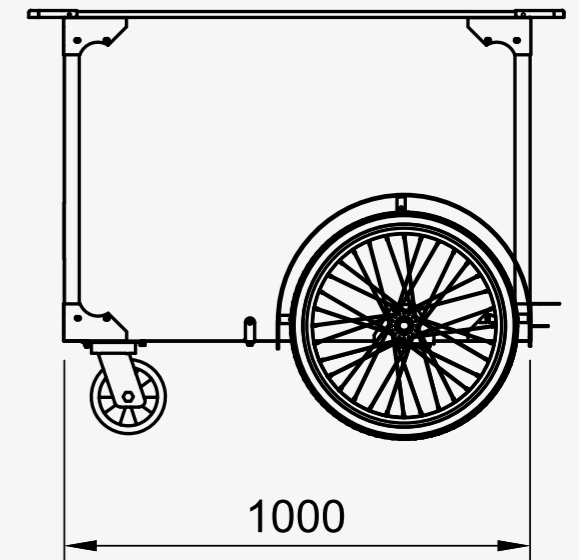
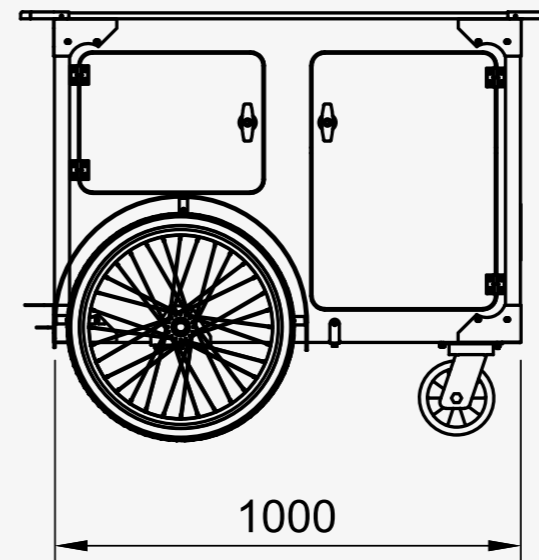
Coffee Cart M front view:



Countertop:



Coffee Cart M lateral back and front view:



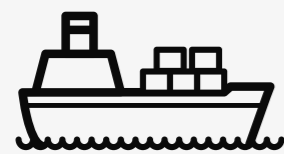
# Worldwide Shipping since 2009



**USA and Worldwide:  
delivery by air (3-7 business days)**



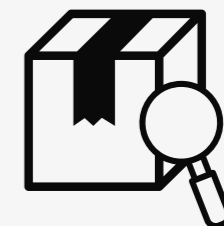
**Mainland Europe:  
delivery by road (3-5 business days)**



**USA and Worldwide:  
delivery by sea (14-65 days port-to-port)**

#### **Delivery box dimensions\***

<b>Length</b>	<b>1100 mm</b>
<b>Width</b>	<b>800 mm</b>
<b>Height</b>	<b>1200 mm</b>
<b>Weight</b>	<b>95 kg</b>



**\* dimensions may vary depending  
on the shipment method**

# One coffee cart, unlimited possibilities.





# Contact us, now.



[office@bizzonwheels.com](mailto:office@bizzonwheels.com)



[Bizz On Wheels](#)



[bizzonwheels](#)



[BizzOnWheels](#)