



COFFEE CART M

BRANDING: ANY COLOUR
AND GRAPHICS WITH
PRINTED DECALS





FOLDABLE 2,7 M
UMBRELLA



INDUSTRIAL LOCKERS

FOLDING JACK

20" WHEELS WITH COVER

DESIGNED TO PUT **YOUR BUSINESS** ON WHEELS.



Espresso machine
and grinder
not included

FOOD GRADE STAINLESS STEEL

SINK

ESPRESSO AND GRINDER
CABLE HOLES

KNOCKBOX

PUSHCART
HANDLES





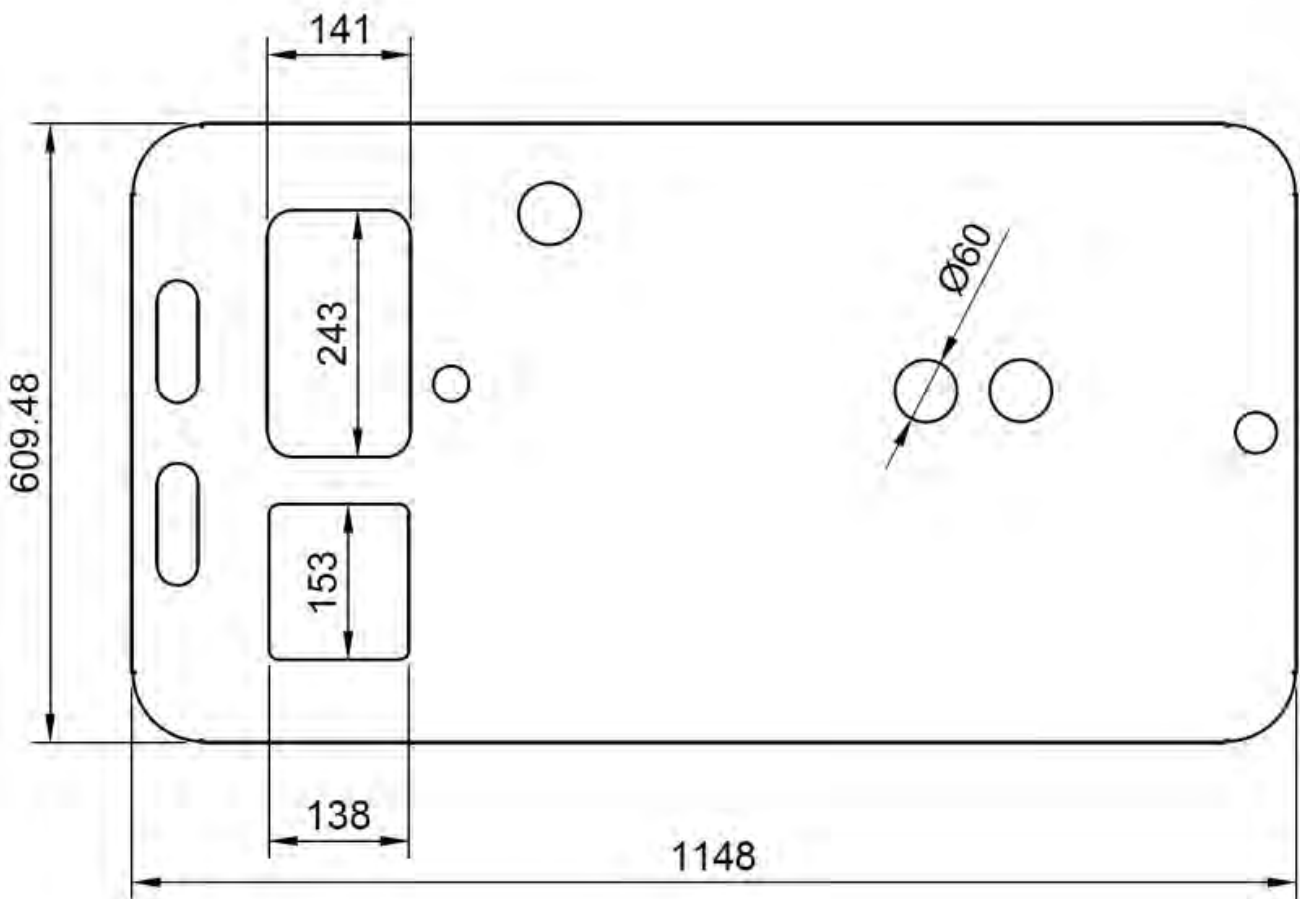
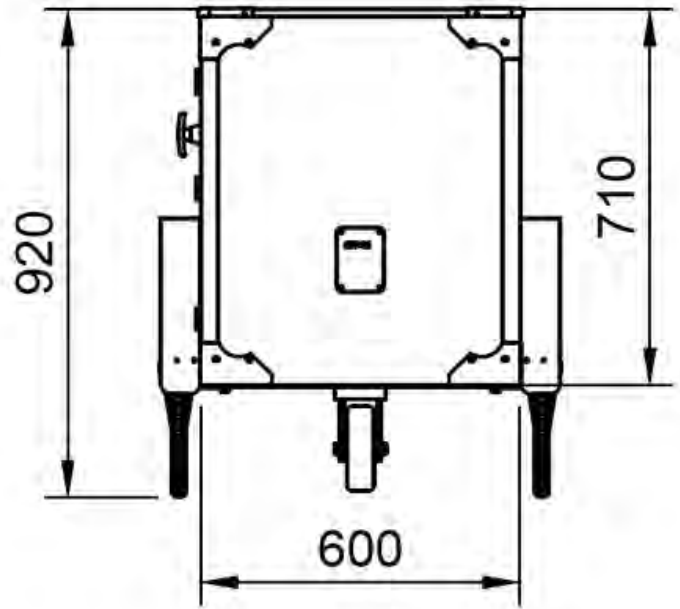
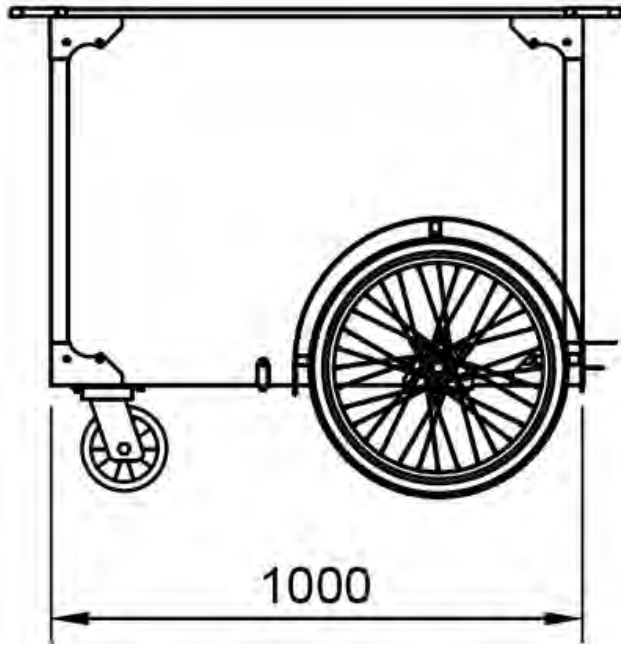
STORAGE AREA



SECIFICATIONS

Body	Fully dismountable body, made of 12mm plywood, covered in steel, steel welded base structure, powder coated.
Colour	Black or White
Countertop	Food grade stainless steel reinforced with 12 mm plywood
Wheels	20" aluminum wheels with 36 spokes in front and rear oscillating wheel
Roof	2,7 meter umbrella (diameter)
Interior Storage	2 doors with industrial key lock and 5 storage spaces.
Assembly time	1 hour
Package Size	Cardboard box:
Net Weight	65 Kg
Gross Weight	70 Kg
Instruction Manuals	PDF and Video formats
Warranty	24 Months (based on manufacturing faults and subject to normal wear and tear)
Spare parts	Available from customer service
Delivery	Worldwide

DIMENSIONS



PRICE LIST

Designed to be towed with any bicycle



No. of units	Price / unit
1 unit	2440 Euro

- DELIVERY AND IMPORT FEES NOT INCLUDED
- VAT NOT INCLUDED