



BIZZ ON WHEELS



Sell OVER
500 Espresso/Day

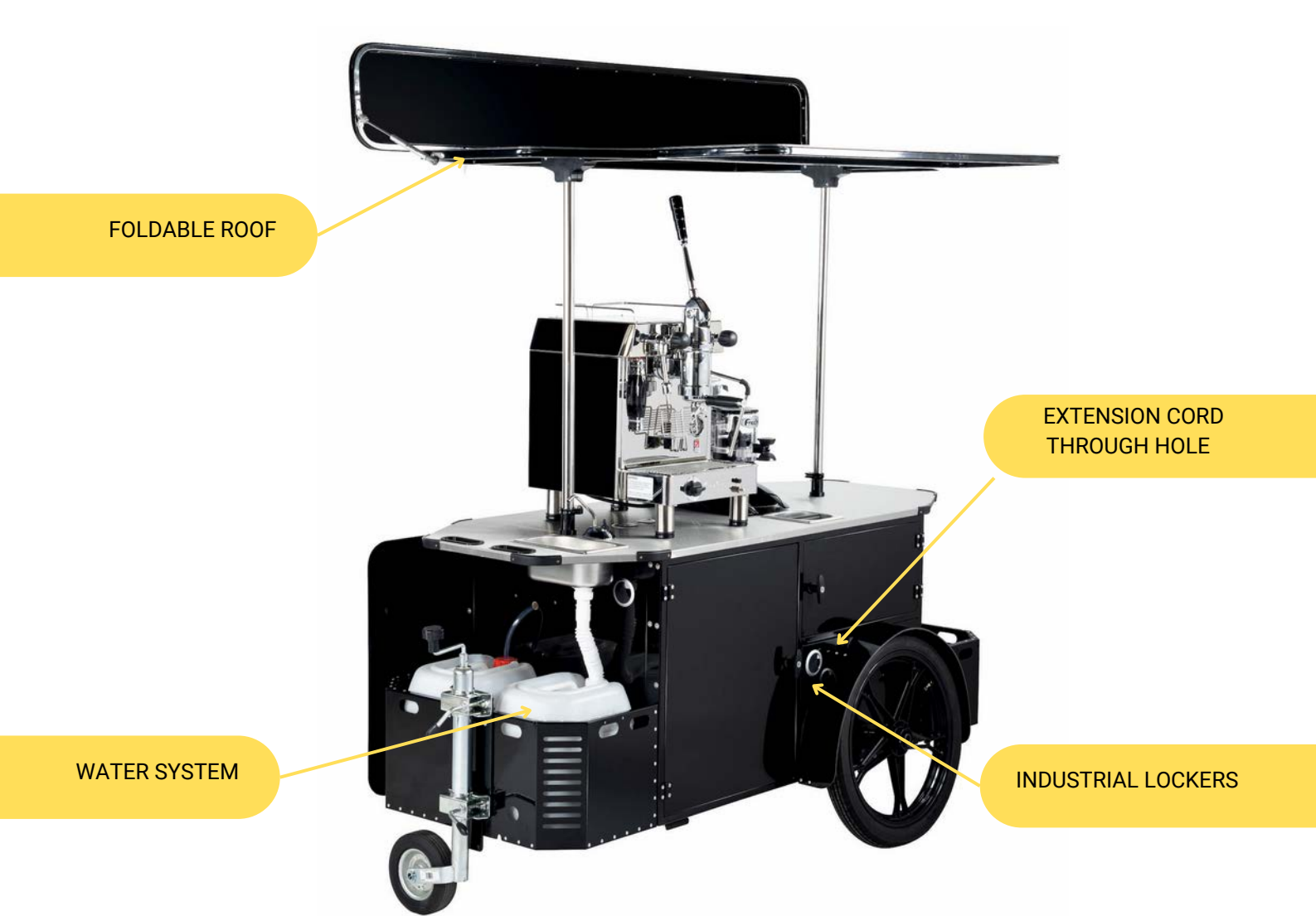


COFFEE CART L

 THE COFFEE SHOP

BRANDING: ANY COLOUR AND GRAPHICS WITH PRINTED DECALS





INTERIOR AND EXTERIOR STORAGE

DESIGNED TO PUT YOUR COFFEE BUSINESS ON WHEELS

WATER HOSE FROM
ESPRESSO MACHINE

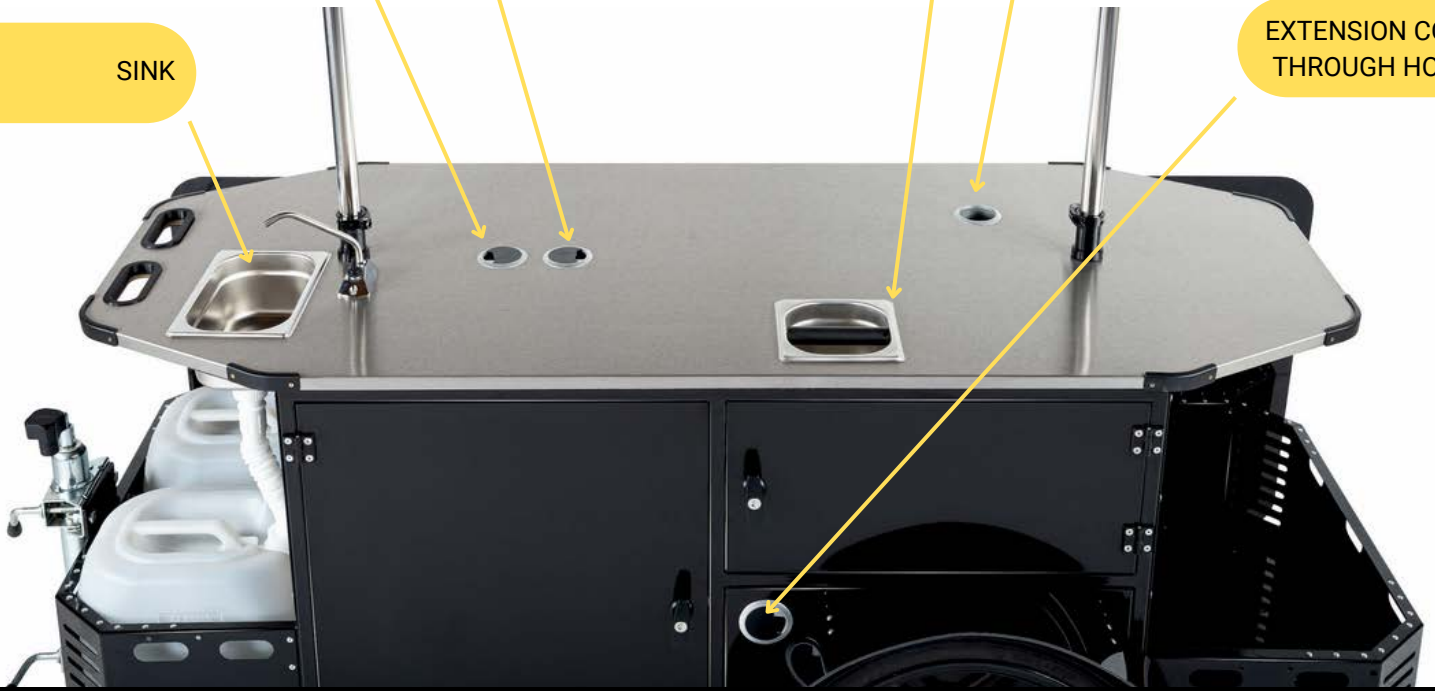
KNOCK BOX

ELECTRICAL CABLE
FROM ESPRESSO

ELECTRICAL CABLE
FOR GRINDER

SINK

EXTENSION CORD
THROUGH HOLE



ESPRESSO MACHINE
AND GRINDER
NOT INCLUDED

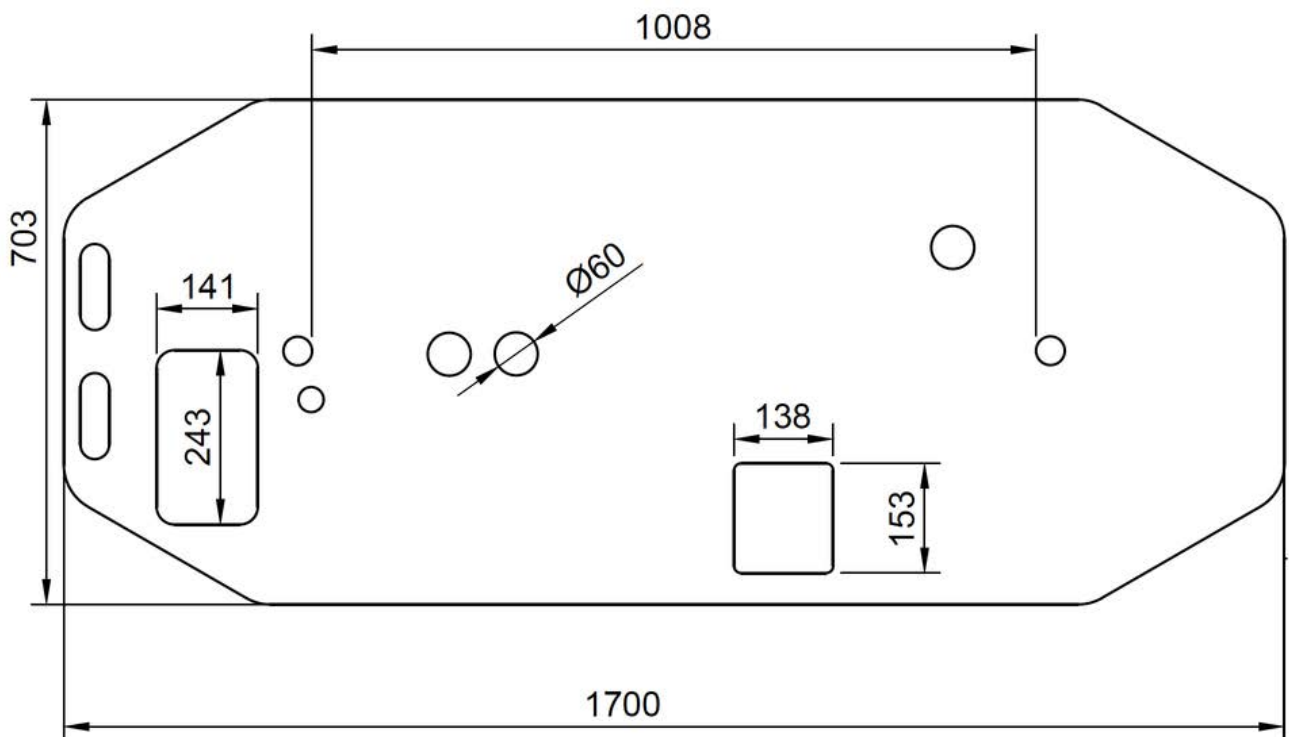
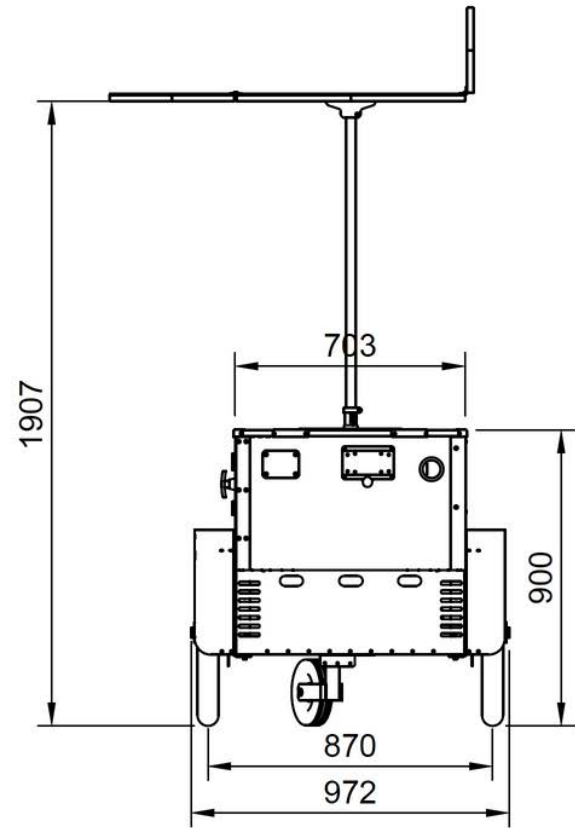
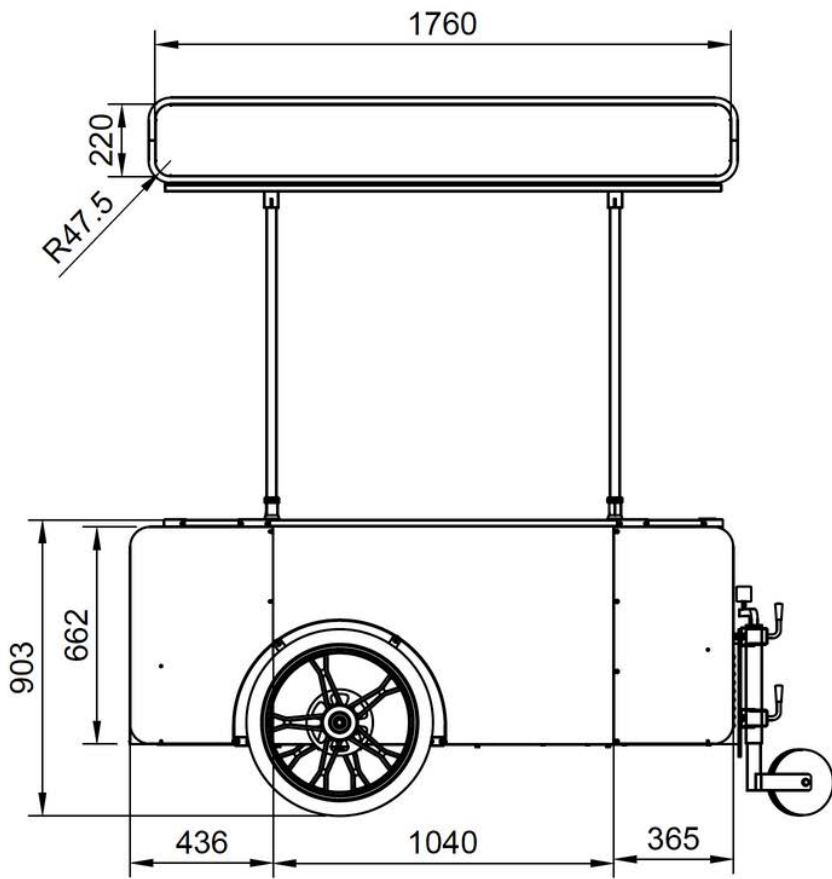
PUSH CART HANDLES



SPECIFICATIONS

Body	Fully dismountable body, made of 18mm plywood, covered in steel, powder coated. Base structure made of welded steel.
Colour	Black or White
Branding	Available for an extra fee, with printed decals (ask customer service to include it in your quote)
Countertop setup	Food grade stainless steel, reinforced with 18 mm plywood. Built in sink, size GN 1/3. The tap is powered by a 220V water pump, with 20 liter fresh water tank + 20 liter waste water tank. Knock box size GN1/6, 3 X 50 mm. Holes for electrical cables and water hoses.
Wheels	28" aluminum wheels in front and adjustable rear wheel.
Roof	Foldable roof made of steel, powder coated.
Interior Storage	2 doors with industrial key lock and 5 storage compartments inside.
Exterior storage	One storage compartment on the right side.
Assembly time	Disassembled - 2-3 hours / Partially assembled - 30 minutes
Instruction Manuals	PDF and Video formats
Package Size	Wooden box: 200Lx82Wx70H cm
Net Weight	185 Kg
Gross Weight	235Kg
Warranty	24 Months (subject to normal wear and tear)

MEASUREMENTS (MILLIMETERS)



PRICE LIST

No. of units	Price / unit
1 unit	4200 Euro

- DELIVERY AND IMPORT FEES NOT INCLUDED
- VAT NOT INCLUDED