



VENDING CART M



BRANDING: ANY COLOUR
AND GRAPHICS WITH
PRINTED DECALS





BIKE DRIVE ARM
CONNECTION

FOLDABLE 2,7 M
UMBRELLA

INDUSTRIAL LOCKERS

FOLDING JACK

20" WHEELS WITH COVER

DESIGNED TO PUT **YOUR BUSINESS** ON WHEELS.

FOOD GRADE STAINLESS STEEL COUNTERTOP

PUSH CART HANDLES

COVERED IN POWDER
COATED STEEL SHEET

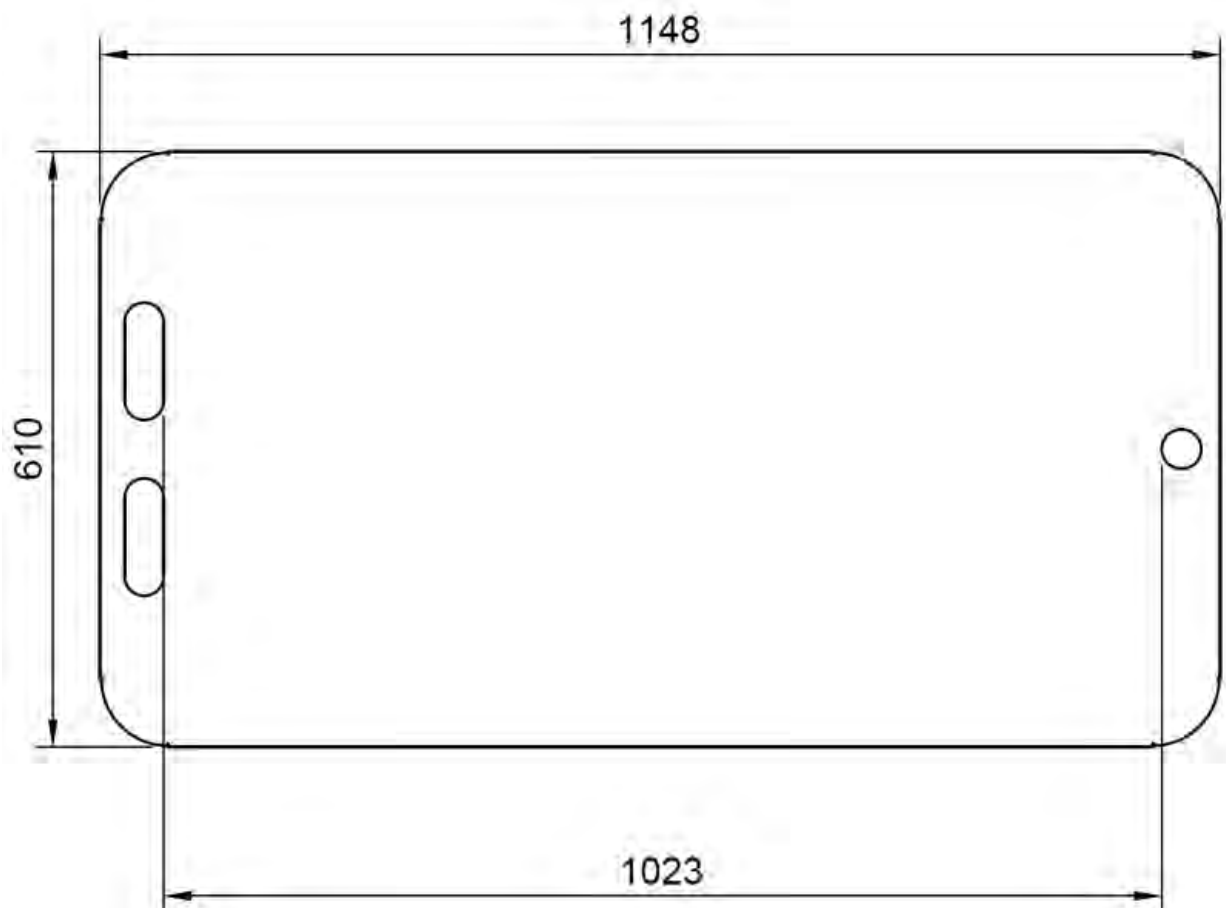
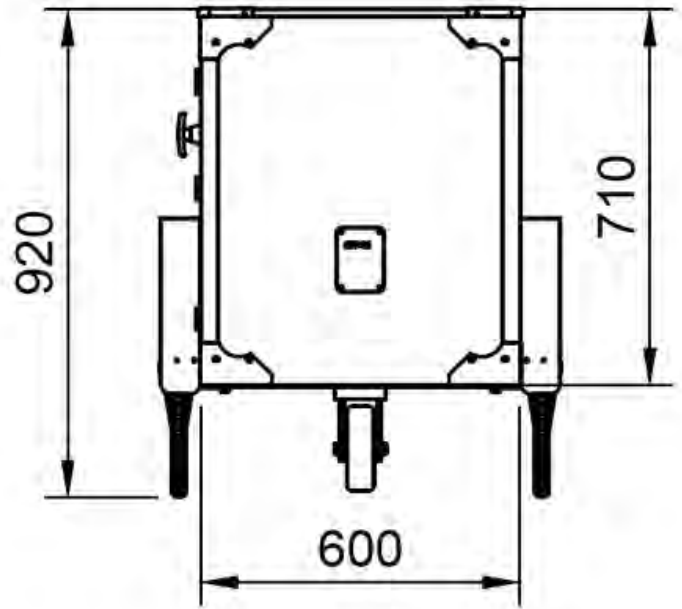
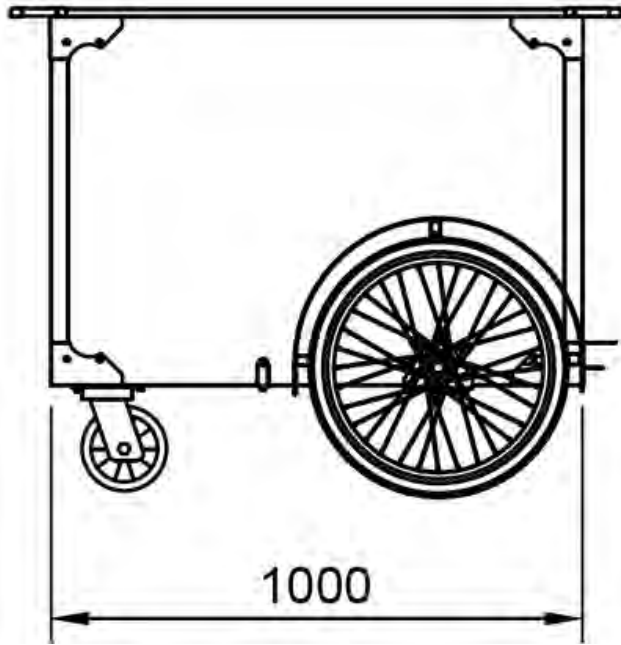


STORAGE AREA / REMOVABLE
SHELVES

SECIFICATIONS

| | |
|----------------------------|--|
| Body | Fully dismountable body, made of 12mm plywood, covered in steel, steel welded base structure, powder coated. |
| Colour | Black or White |
| Countertop | Food grade stainless steel reinforced with 12 mm plywood |
| Wheels | 20" aluminum wheels with 36 spokes in front and rear oscillating wheel |
| Roof | 2,7 meter umbrella (diameter) |
| Interior Storage | 2 doors with industrial key lock and 5 storage spaces. |
| Assembly time | 1 hour |
| Package Size | Cardboard box: |
| Net Weight | 65 Kg |
| Gross Weight | 70 Kg |
| Instruction Manuals | PDF and Video formats |
| Warranty | 24 Months (based on manufacturing faults and subject to normal wear and tear) |
| Spare parts | Available from customer service |
| Delivery | Worldwide |

DIMENSIONS



PRICE LIST

Designed to be towed with any bicycle



| No. of units | Price / unit |
|---------------------|---------------------|
| 1 unit | 2190 Euro |

- DELIVERY AND IMPORT FEES NOT INCLUDED
- VAT NOT INCLUDED