



VENDING CART L



FOLDABLE ROOF



INDUSTRIAL LOCKERS

EXTENSION CORD THROUGH HOLE

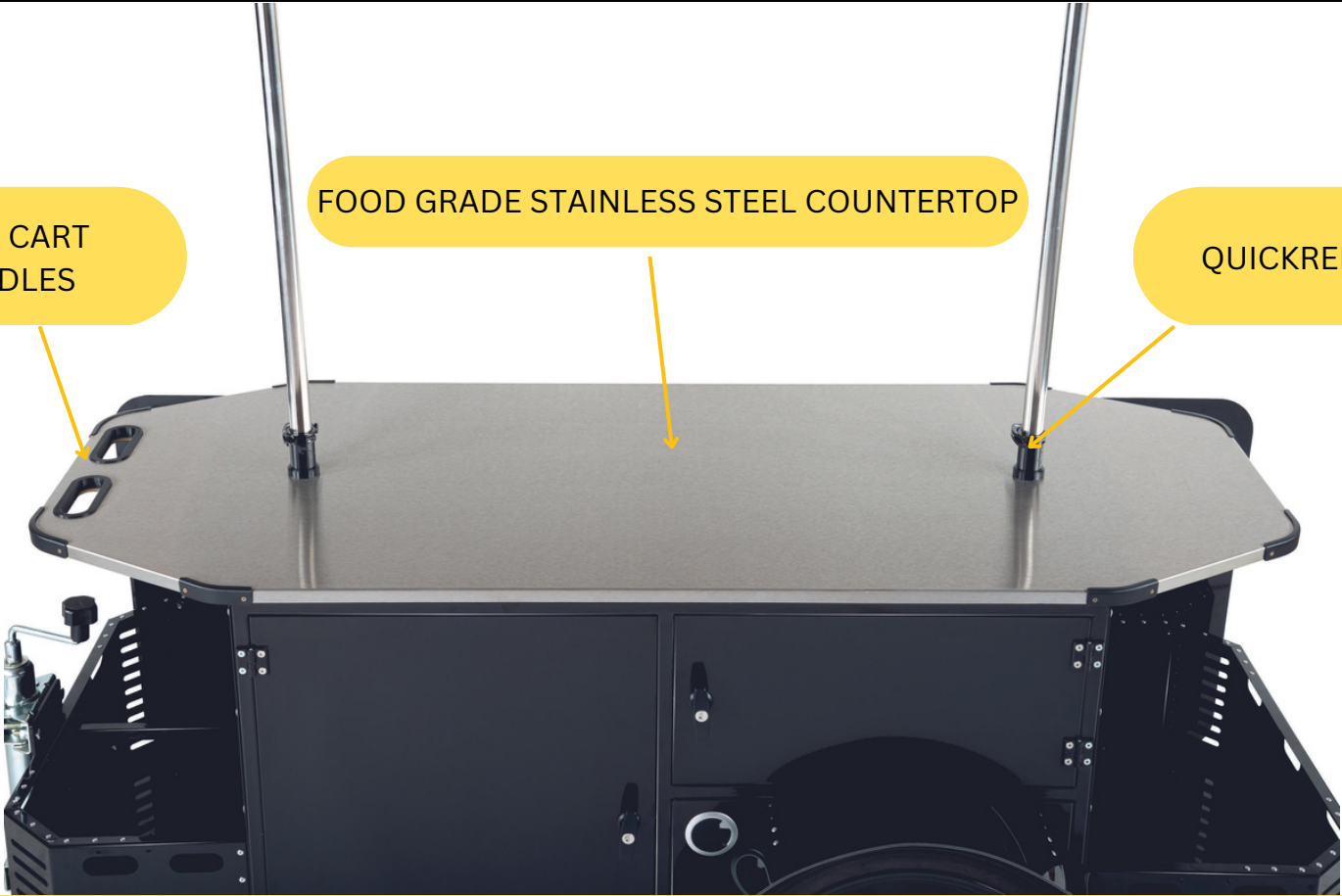
EXTERIOR AND INTERIOR STORAGE

DESIGNED TO PUT YOUR BUSINESS ON WHEELS

PUSH CART HANDLES

FOOD GRADE STAINLESS STEEL COUNTERTOP

QUICKRELEASE



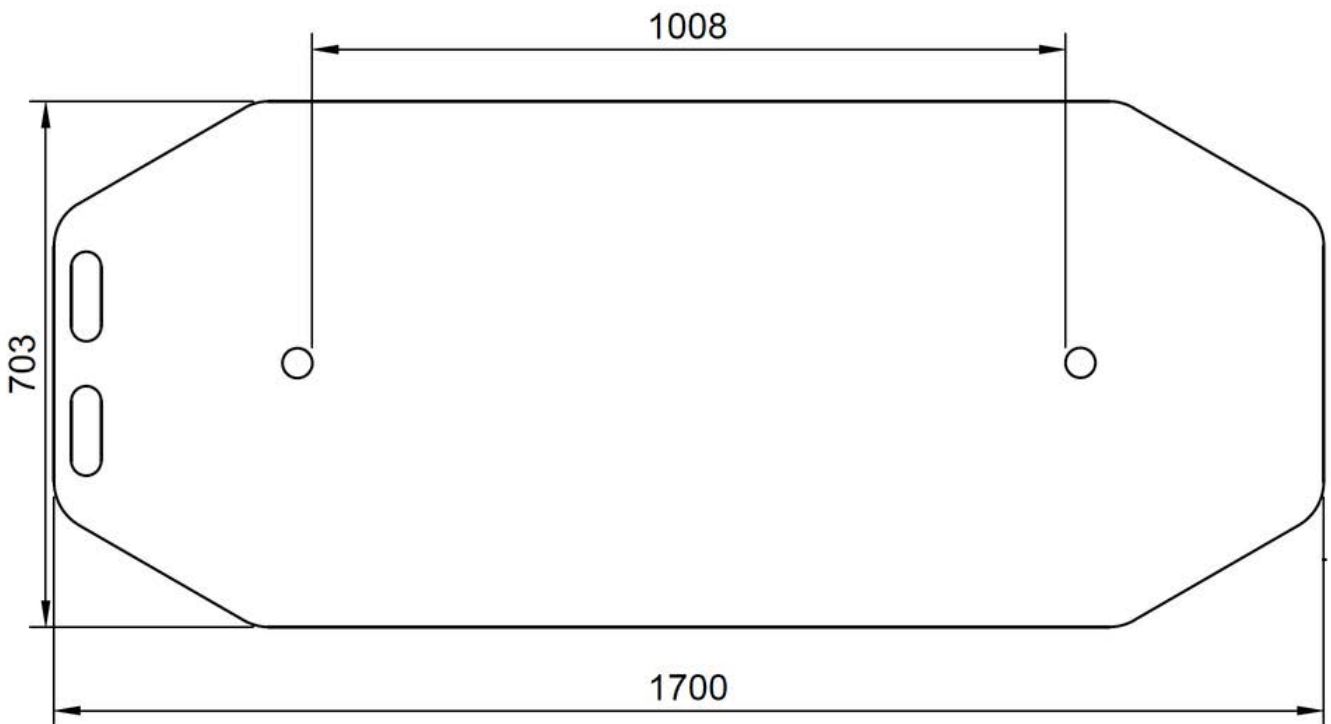
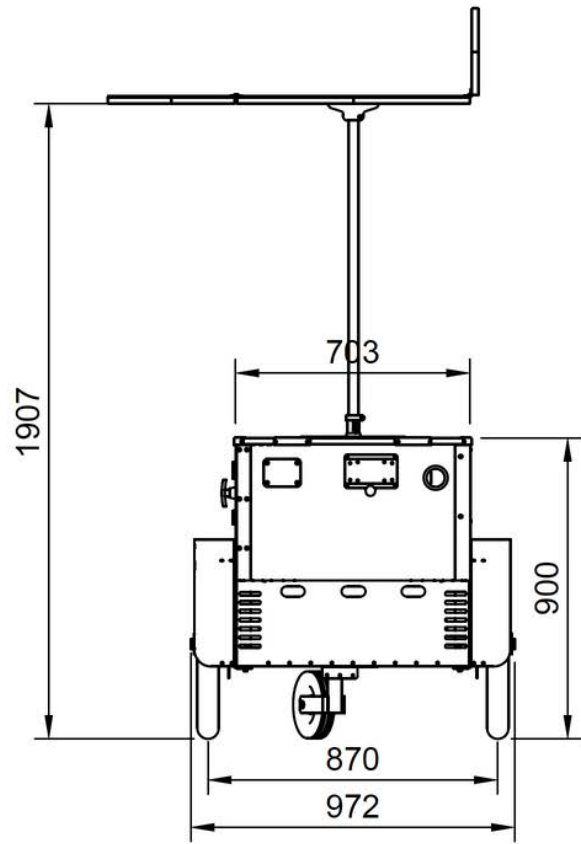
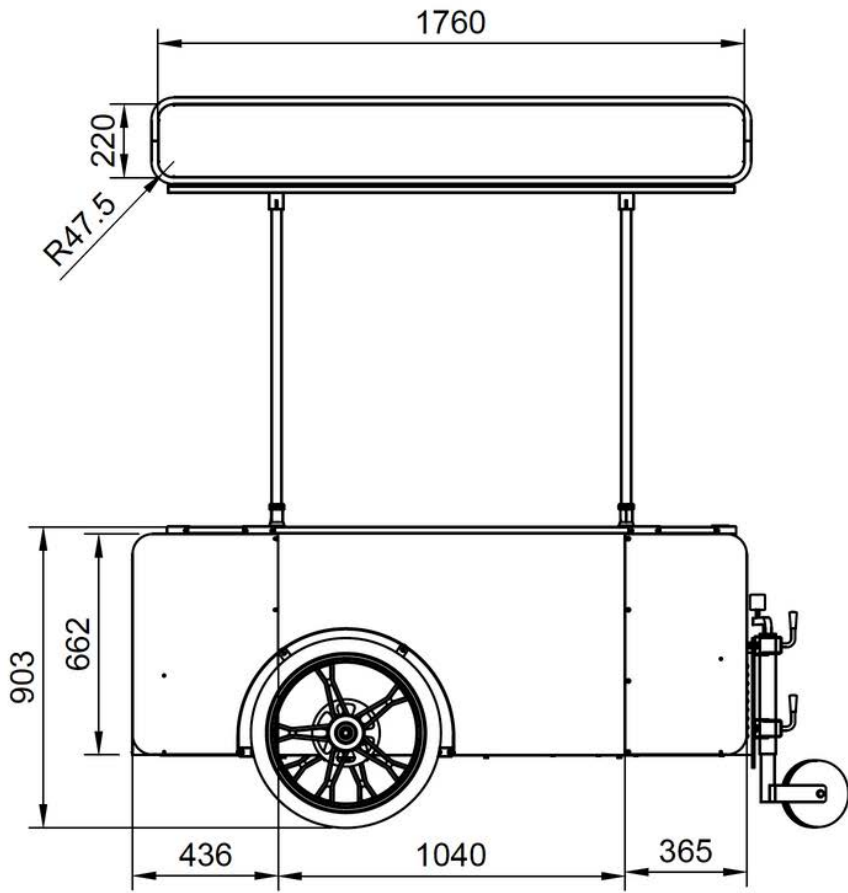
COVERED IN POWDER COATED STEEL SHEET



SPECIFICATIONS

Body	Fully dismountable body, made of 18mm plywood, covered in steel, powder coated. Base structure made of welded steel.
Colour	Black or White
Branding	Available for an extra fee, with printed decals (ask customer service to include it in your quote)
Countertop	Food grade stainless steel, reinforced with 18 mm plywood
Wheels	28" aluminum wheels in front and adjustable rear wheel
Roof	Foldable roof made of steel, powder coated
Interior Storage	2 doors with industrial key lock and 5 storage spaces.
Exterior storage	2 exterior compartments
Package Size	Wooden box: 200Lx82Wx70H cm
Net Weight	175 Kg
Gross Weight	225Kg (wooden box included)
Manuals and instructions	PDF and Video formats
Assembly time	Disassembled - 2 hours / Partially assembled - 30 minutes
Warranty	24 Months (subject to normal wear and tear)
Spare parts	Available from customer service
Delivery	Worldwide

DIMENSIONS



PRICE LIST

No. of units	Price / unit
1 unit	3790 Euro

- DELIVERY AND IMPORT FEES NOT INCLUDED
- VAT NOT INCLUDED