



THE BARBECUE
& GRILL CART

IMMERSIVE
BUSINESS SOLUTIONS



The Most Versatile Barbecue & Grill Cart

Combining perfect form with dynamic function, the Barbecue & Grill cart has all the key features of an authentic BBQ diner on wheels.

Suitable for use in both outdoor locations and indoor venues, the Barbecue & Grill Cart can be operated as a pop-up steak & grill kiosk, as a seasonal street food bike or it can be setup as a stationary food stall in public establishments. The cart can also be rented to private events or run as a fully mobile catering business.

Ideal for catering companies, outdoor venues, as well as for small businesses and starting entrepreneurs.



ONE BARBECUE CART TWO TRACTION MODES

The Barbecue & Grill Cart can be connected to and towed by any ebike thanks to our patent-pending universal saddle hitch system.

BARBECUE BIKE MODE



PUSH CART MODE

For increased maneuverability in outdoor and indoor locations, the Barbecue & Grill Cart is equipped with an ergonomic handlebar.



The first Barbecue Cart in the world designed to be towed by an e-bike

Paired with our specially designed electric chopper, the Barbecue & Grill Cart becomes a sleek Barbecue Bike ready to take on the best spots in town.



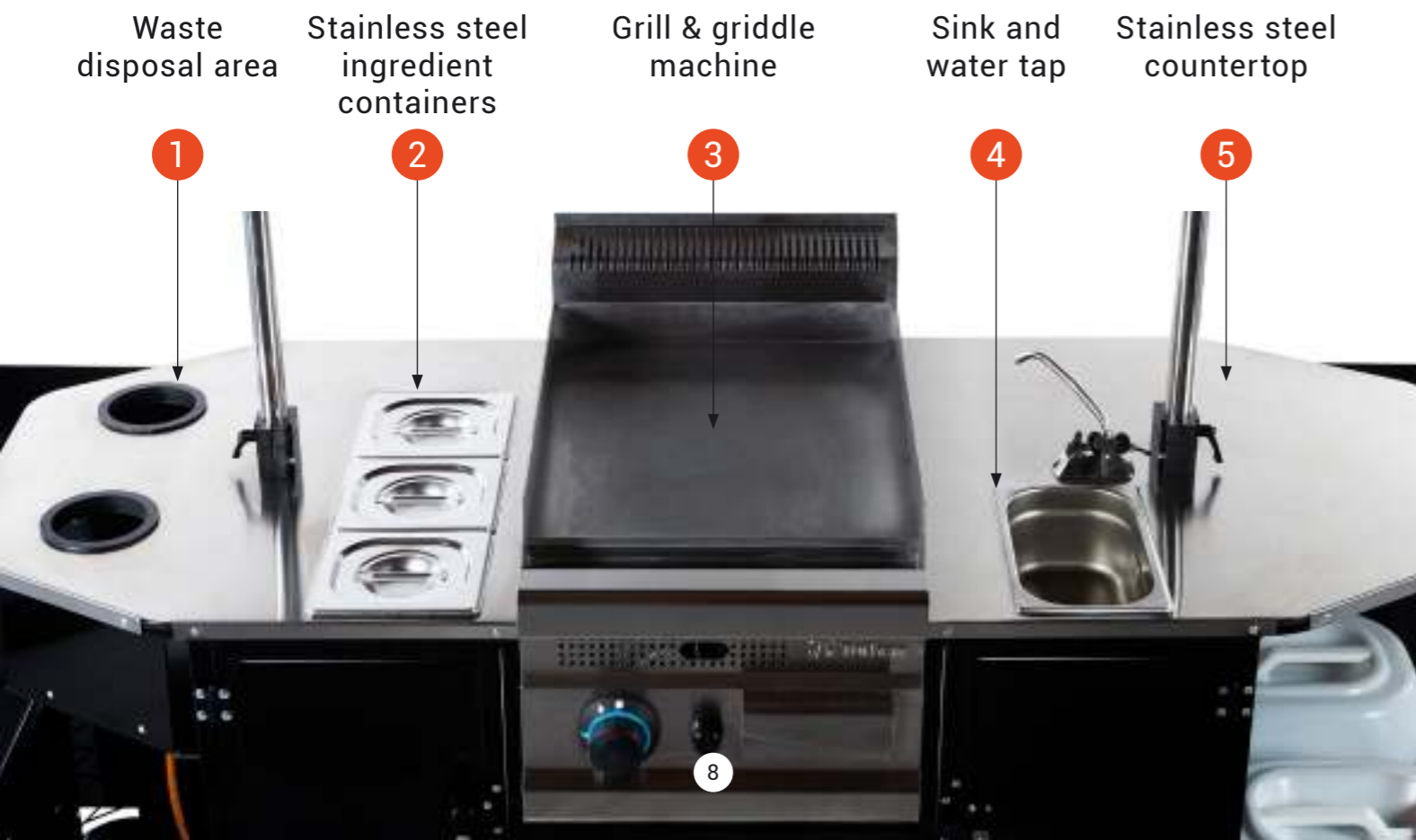
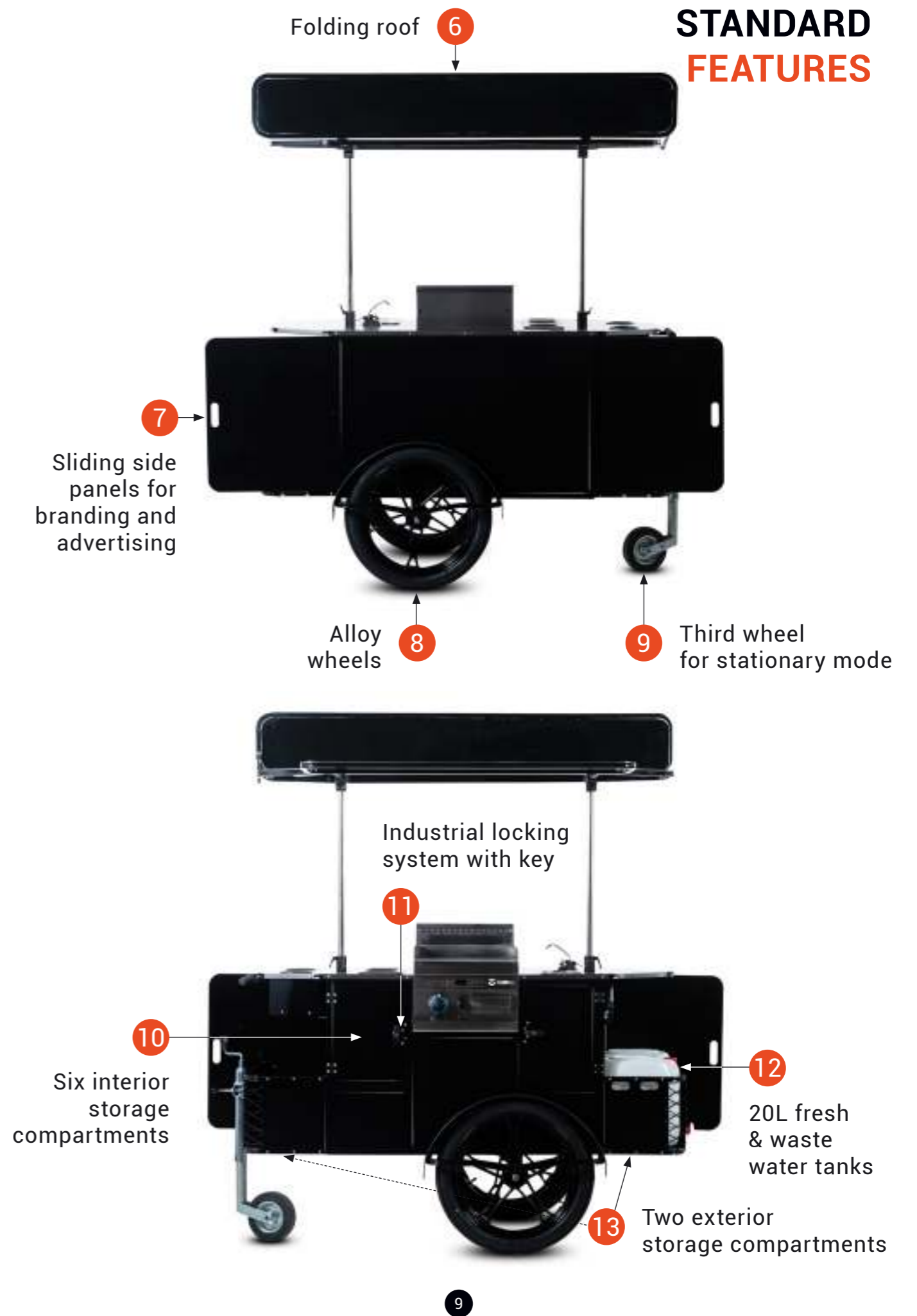
Barbecue Cart Features

Fully wrapped in steel, the Barbecue & Grill Cart features a food-grade stainless steel countertop, six interior storage compartments and two open storage spaces (one on each side of the cart).

The standard model comes outfitted with a commercial 400x600 mm gas grill & griddle machine.

The cart is available in two colour schemes, black or white, and can be branded with custom graphics either by us or by the end user.

STANDARD FEATURES





Standard & Custom

Our Food Carts portfolio includes a broad range of projects, both standard and custom. But, beyond their shared features, each one of our carts is unique, just like the businesses we help our customers build and grow.

- 1 Our Barbecue & Grill Cart is an off-the-shelf solution for entrepreneurs and businesses of all sizes. It can be operated virtually anywhere and it comes equipped with everything you need for a ready-to-use barbecue diner on wheels.
- 2 Fully customizable, the Barbecue & Grill Cart can be outfitted on demand with accessories for every purpose and commercial requirement, such as commercial gas fryer, fridge, folding countertop extensions, cold food pans, countertop LED lights.



Optional Features

SOLAR PANEL



Countertop LED lights



Electrical system kit:
12V 100Ah battery, pure sine battery inverter, battery charger, socket, electrical board



220V fridge



12V fridge



Insulated polystyrene cold storage boxes



12V 100Ah battery



Bluetooth battery monitor



Custom RAL colours



13/18 kg commercial gas fryer



Stainless steel folding countertops



Lateral folding countertops



Custom branding



Electric Chopper Bike

Technical Specs

Our Barbecue & Grill Cart is built of highest quality materials using cutting edge manufacturing techniques.

SPECS	DETAILS
Cart body	Strong steel frame wrapped in powder coated steel sheet
Colours	Black / white; alternatively, it can be painted in any RAL colour
Advertising space	A total of 1.7 square meters of advertising space (central panel, left & right sliding panels and front roof panel)
Roof	The roof consists of three parts: 1. The main part with the same shape and size as the countertop 2. a secondary folding roof panel for the vendor 3. a third folding roof panel intended for brand signage
Countertop	Food-grade stainless steel countertop
Storage space (interior & exterior)	The interior space is divided into six storage compartments; two exterior storage compartments are included, one on each side of the cart
Wheels	Two main motorcycle wheels made of aluminum that can withstand weights of up to 350 kg; the third wheel is to be used only in stationary or push cart mode
Mobility - Traction modes	Push cart or bike-towed
Stability	Highly stable both when towed and in stationary mode; easily maneuvered as a push cart thanks to its oscillating third wheel
Safety	The steel covered panels and the lockable doors ensure the cart's safety when not in use
Weight	145 kg
Warranty	24 months

DIMENSIONS

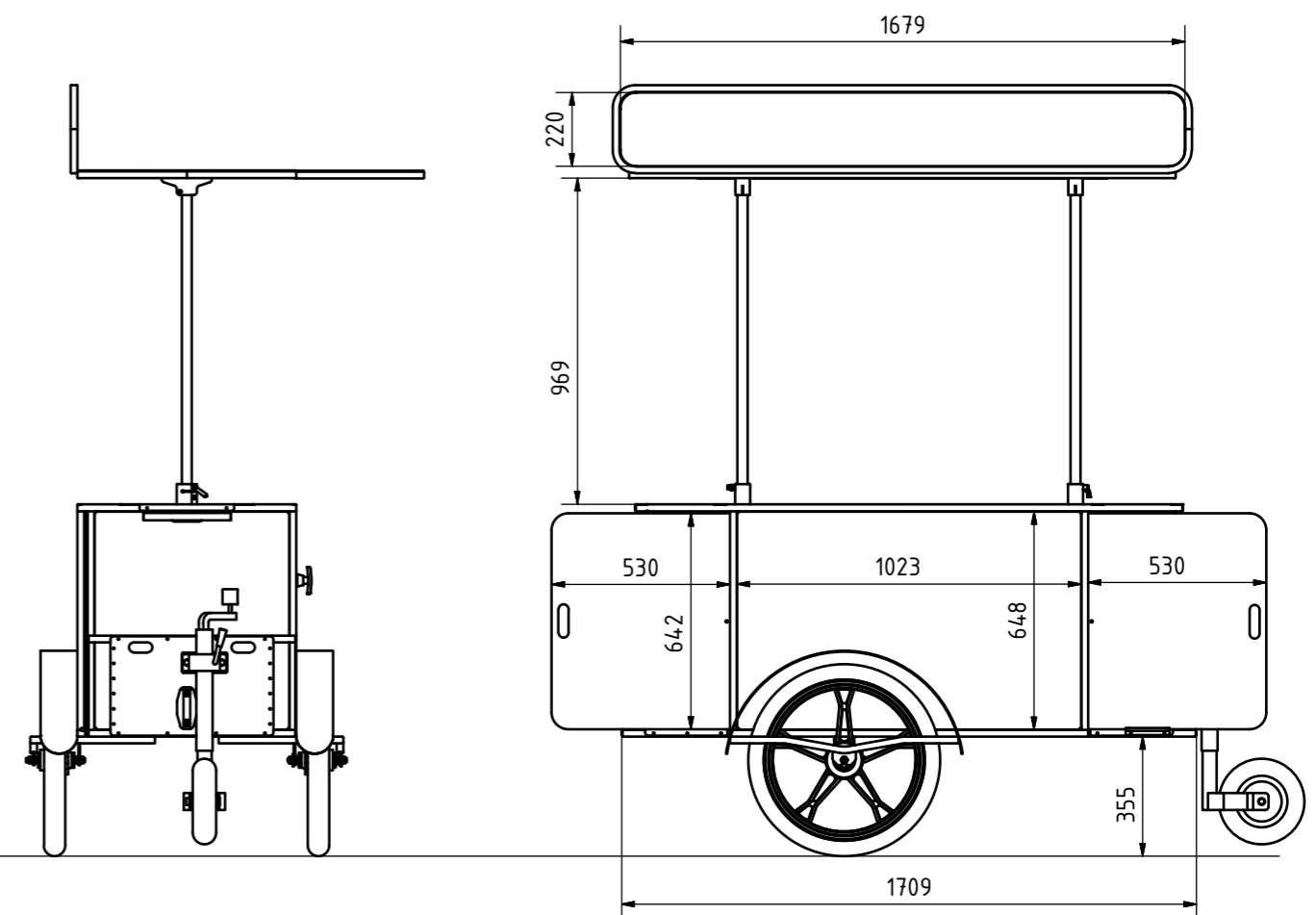
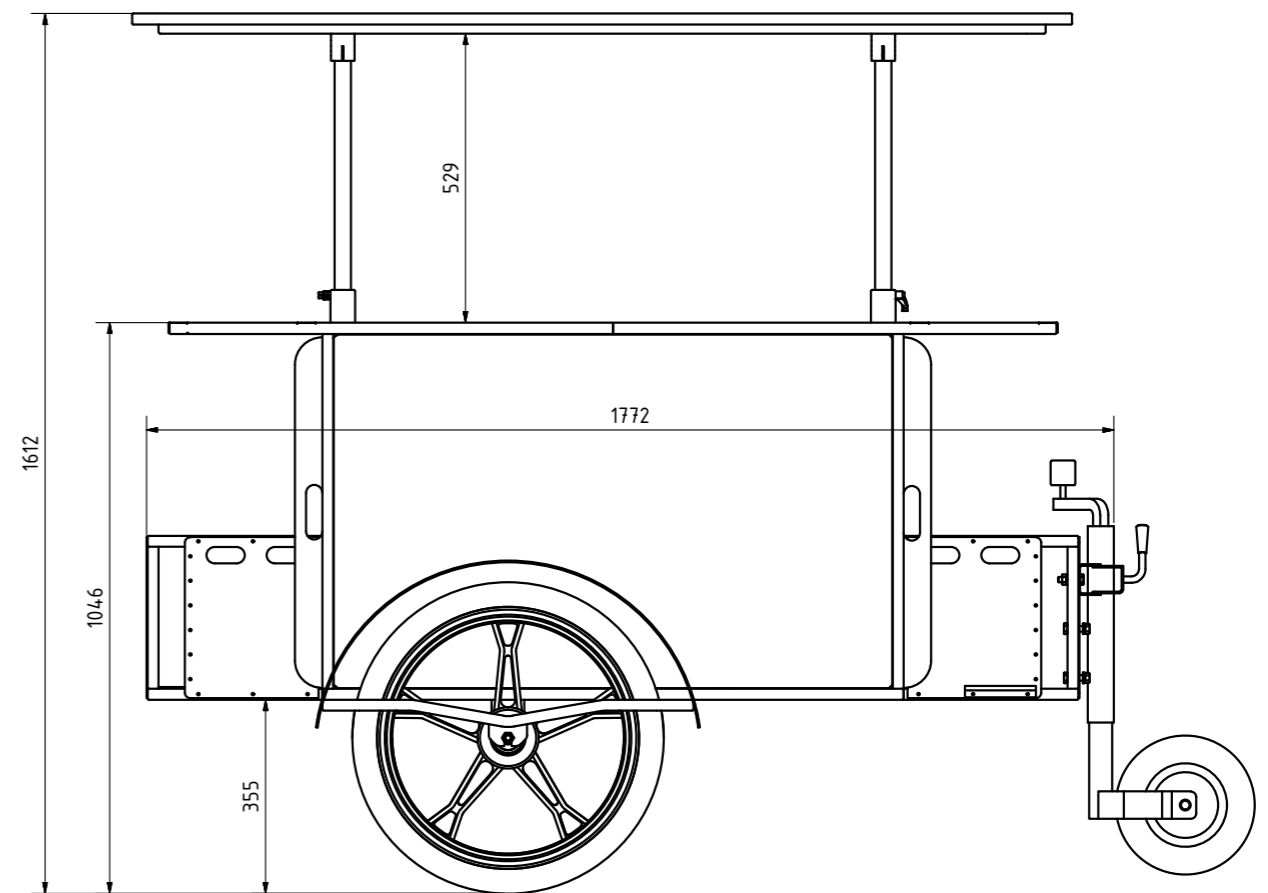
Height: 1616 mm (folded) to 2256 mm (unfolded)

Width: 945 mm

Length: 1772 mm

Weight: 145 kg

Countertop dimensions: 1629 mm x 650 mm



Worldwide Shipping **since 2009**



USA and Worldwide:
delivery by air (3-7 business days)



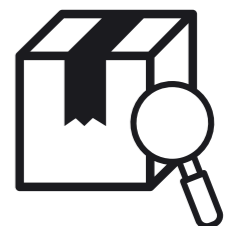
Mainland Europe:
delivery by road (3-5 business days)



USA and Worldwide
delivery by sea (14-65 days port-to-port)

Delivery box dimensions *

Length	2100 mm
Width	1100 mm
Height	1600 mm
Weight	180 kg



* dimensions may vary depending on the shipment method

Interior Compartments

To maximize its storage capacity, the cart's interior is divided into six compartments, providing plenty of space for business supplies and equipment.

Energy Efficiency

For your convenience, the Barbecue & Grill Cart can be equipped with a solar panel and an electrical system kit, maximizing its performance and energy efficiency.



Contact us, now.

office@bizzonwheels.com



[BizzOnWheels](#)



[bizzonwheels](#)



[BizzOnWheels](#)



www.bizzonwheels.com