



THE BASIC CART

IMMERSIVE
BUSINESS SOLUTIONS

The Most Versatile Vending Cart



An all-purpose shop on wheels, this is the most versatile and profitable vending cart on the market.

Suitable for both outdoor and indoor locations, with a clean design that works in any background, the Basic Cart is a three-in-one business solution for marketing, selling and distribution.

The standard version can be used as a mobile shop, as a promotional stand in marketing campaigns or as a ready-made street food cart.

Customized, the cart can serve any purpose one can think of thanks to our wide selection of add-ons and accessories.



ONE VENDING CART TWO TRACTION MODES

The Basic Cart can be connected to and towed by any ebike thanks to our patent-pending universal saddle hitch system.

VENDING BIKE MODE



4

PUSH CART MODE

For increased maneuverability in outdoor and indoor locations, the Basic Cart is equipped with an ergonomic handlebar.



5

The first Vending Cart in the world designed to be towed by an e-bike

Paired with our specially designed electric chopper,
the Basic Cart becomes a sleek Vending Bike
ready to take on the best spots in town.



Basic Cart

Features

Wrapped entirely in steel, the Basic Cart features a food-grade stainless steel countertop, six interior storage compartments and two open storage spaces (one on each side of the cart).

The Basic Cart is available in two colour schemes, black or white, and can be branded with custom graphics either by us or by the end user.

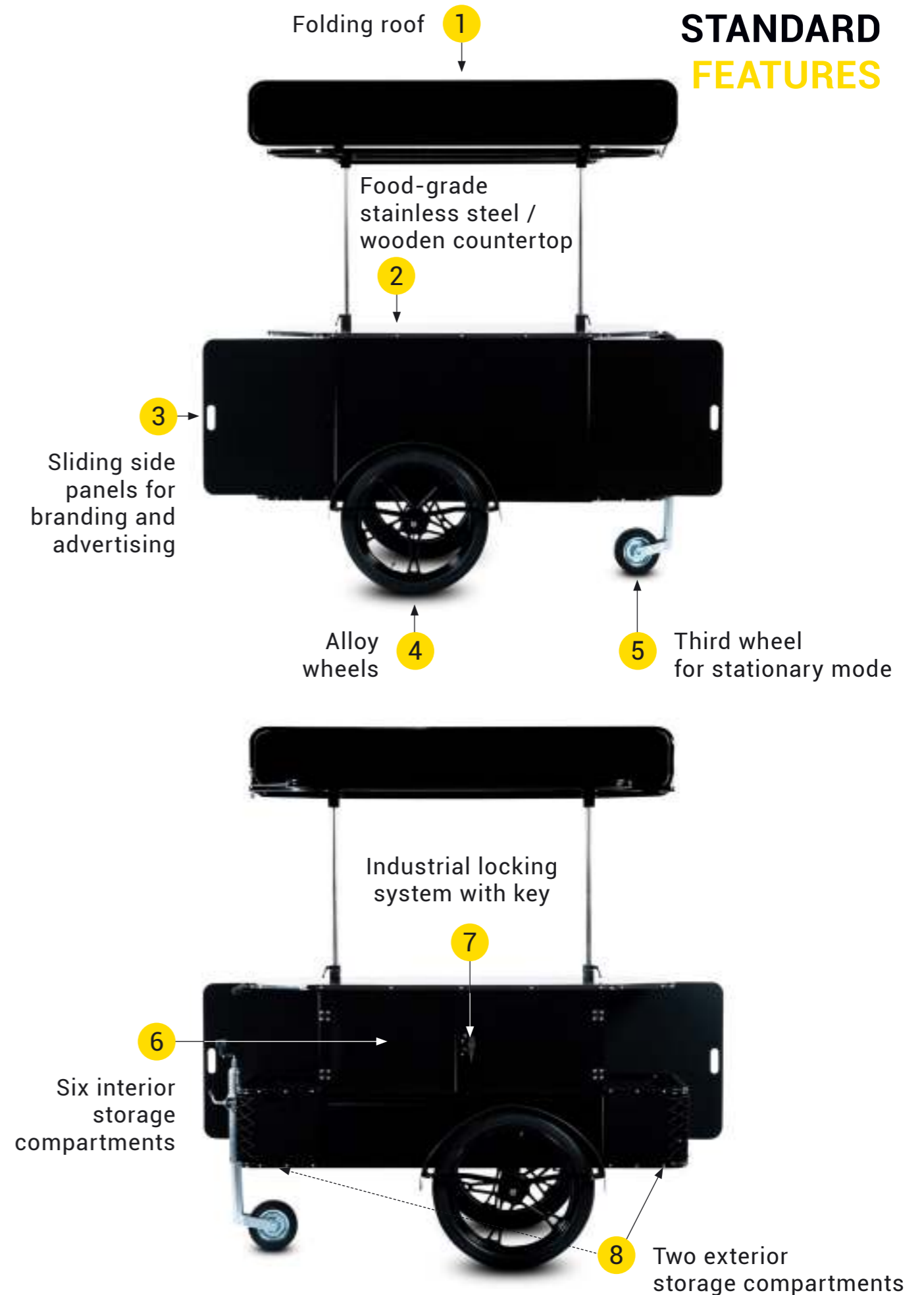


Alternatively, the cart can be outfitted with a wooden countertop.



8

STANDARD FEATURES



9



Standard & Custom

Our Food Carts portfolio includes a broad range of projects, both standard and custom. But, beyond their shared features, each one of our carts is unique, just like the businesses we help our customers build and grow.

1

Our Basic Cart is an affordable off-the-shelf solution for entrepreneurs and businesses of all sizes. Extremely versatile, it can be used either as a pop-up shop or as a mobile platform for marketing campaigns.

2

Fully customizable, the Basic Cart can be outfitted on demand with accessories for every purpose and commercial requirement, such as folding countertop extensions, countertop LED lights, fridge etc.



Optional Features

SOLAR PANEL



Sink kit:
sink, tap, 12V pump,
12V 45Ah battery, fresh and
waste 20L water tanks

Electrical system kit:
12V 100Ah battery, pure sine
battery inverter, battery charger,
socket, electrical board



220V fridge



12V fridge



Insulated polystyrene
cold storage boxes



12V / 100 Ah battery



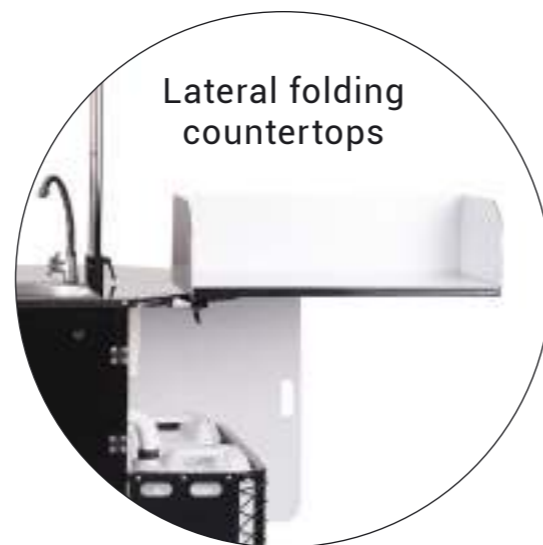
Bluetooth
battery monitor



Custom
RAL colours



Stainless steel
lateral folding
countertops



Lateral folding
countertops



Countertop
LED lights



Custom
branding

Technical Specs

Hand-built in our modern EU factory, the Basic Vending Cart is made of highest quality materials using cutting edge manufacturing techniques.

SPECS	DETAILS
Cart body	Strong steel frame wrapped in powder coated steel sheet
Colours	Black / white; alternatively, it can be painted in any RAL colour
Advertising space	A total of 1.7 square meters of advertising space (central panel, left & right sliding panels and front roof panel)
Roof	The roof consists of three parts: 1. The main part with the same shape and size as the countertop 2. a secondary folding roof panel for the vendor 3. a third folding roof panel intended for brand signage
Countertop	Food-grade stainless steel countertop; alternatively, it can be outfitted with a wooden countertop
Storage space (interior & exterior)	The interior space is divided into six storage compartments; two exterior storage compartments are included, one on each side of the cart
Wheels	Two main motorcycle wheels made of aluminum that can withstand weights of up to 350 kg; the third wheel is to be used only in stationary or push cart mode
Mobility - Traction modes	Push cart or bike-towed
Stability	Highly stable both when towed and in stationary mode; easily maneuvered as a push cart thanks to its oscillating third wheel
Safety	The steel covered panels and the lockable doors ensure the cart's safety when not in use
Weight	120 kg
Warranty	24 months

DIMENSIONS

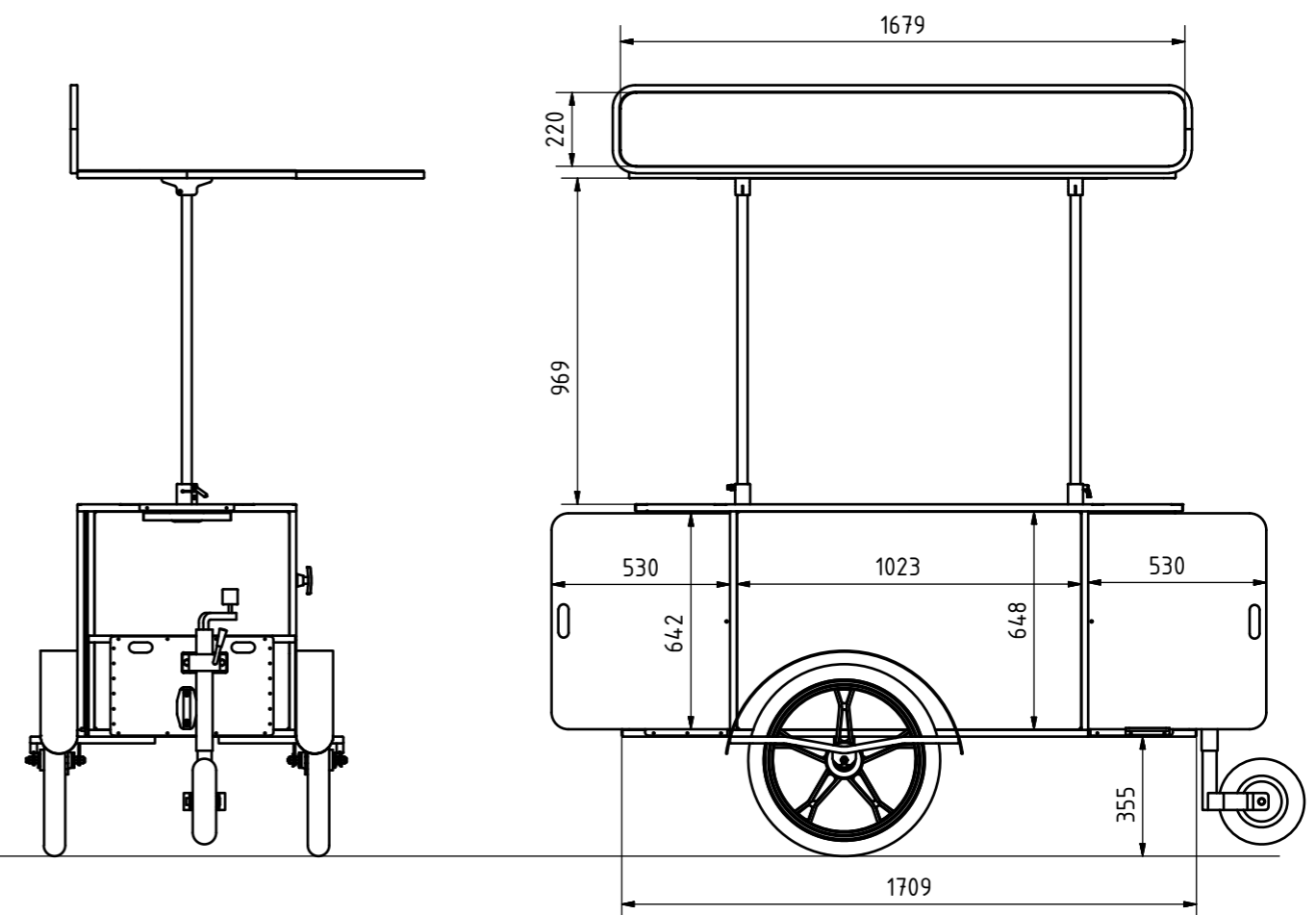
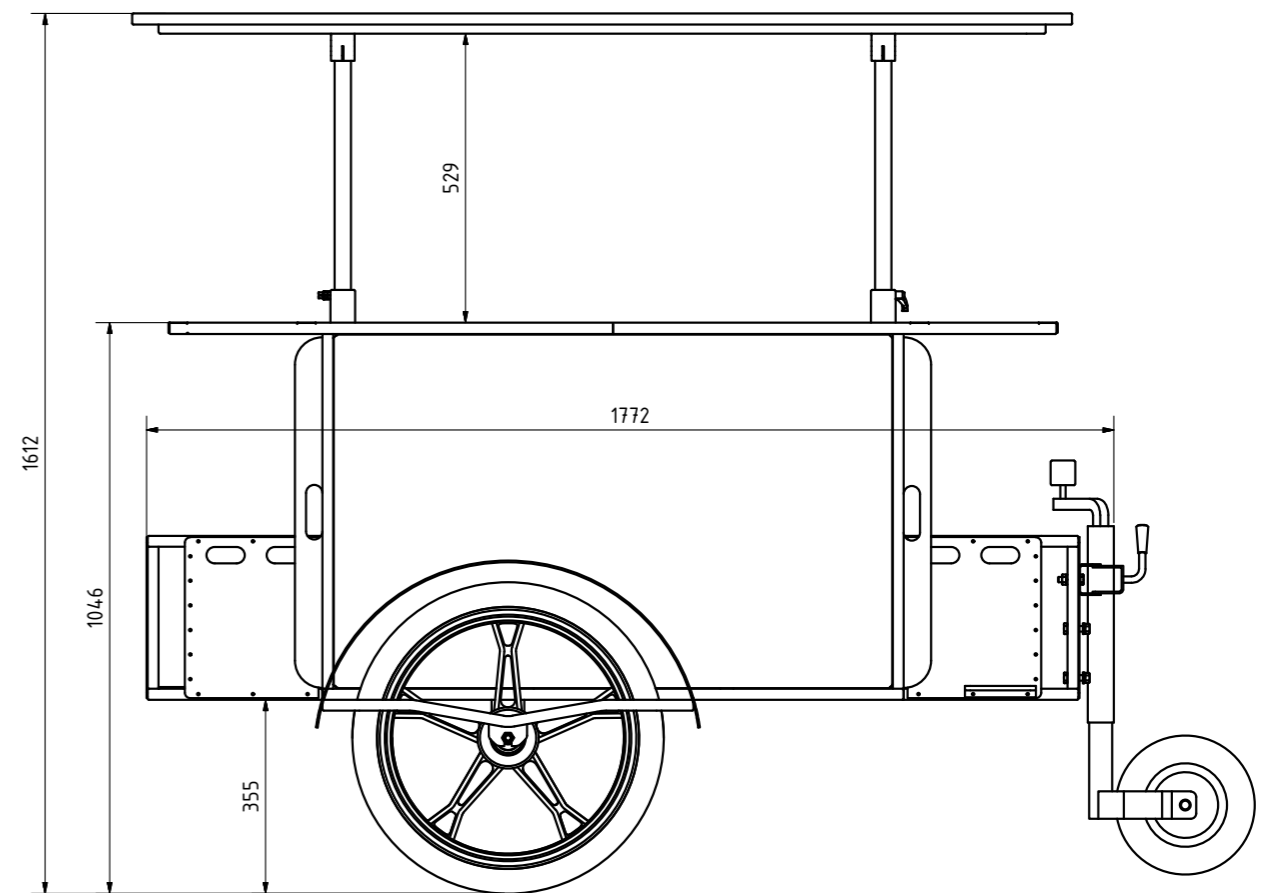
Height: 1616 mm (folded) to 2256 mm (unfolded)

Width: 945 mm

Length: 1772 mm

Weight: 120 kg

Countertop dimensions: 1629 mm x 650 mm



Worldwide Shipping **since 2009**



USA and Worldwide:
delivery by air (3-7 business days)



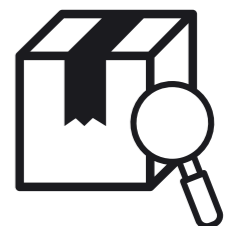
Mainland Europe:
delivery by road (3-5 business days)



USA and Worldwide
delivery by sea (14-65 days port-to-port)

Delivery box dimensions *

Length	2100 mm
Width	1100 mm
Height	1600 mm
Weight	180 kg



* dimensions may vary depending on the shipment method

Interior Compartments

To maximize its storage capacity, the cart's interior is divided into six compartments, providing plenty of space for business supplies and equipment.

Energy Efficiency

For your convenience, the Basic Cart can be equipped with a solar panel and a 12V 100Ah battery, maximizing its performance and energy efficiency.



Contact us, now.

office@bizzonwheels.com



[BizzOnWheels](#)



[bizzonwheels](#)



[BizzOnWheels](#)



www.bizzonwheels.com